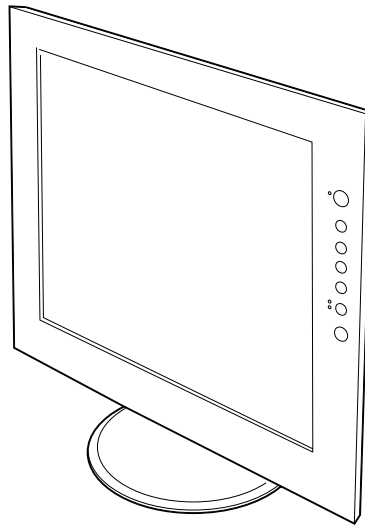


SDM-X202

SERVICE MANUAL

*US Model
Canadian Model*



SPECIFICATIONS

LCD panel	Panel type: a-Si TFT Active Matrix Picture size: 20.1 inch	Power requirements	100 – 240 V, 50 – 60 Hz, Max. 1.0 A
Input signal format	RGB operating frequency* Horizontal: 28–92 kHz (analog RGB) 28–75 kHz (digital RGB) Vertical: 48–85 Hz (analog RGB) 60 Hz (digital RGB)	Power consumption	Max. 80 W
Resolution	Horizontal: Max.1600 dots Vertical: Max.1200 lines	Operating temperature	5 – 35 °C
Input signal levels	Analog RGB video signal 0.7 Vp-p, 75 Ω, positive SYNC signal TTL level, 2.2 kΩ, positive or negative (Separate horizontal and vertical, or composite sync) 0.3 Vp-p, 75 Ω, negative (Sync on green) Digital RGB (DVI) signal: TMDS (Single link) 1 W × 2	Dimensions (width/height/depth)	Display (upright): Approx. 520 × 472 × 256 mm (20 1/2 × 18 5/8 × 10 1/8 inches) (with stand) Approx. 520 × 410 × 98 mm (20 1/2 × 16 1/4 × 3 7/8 inches) (without stand)
Audio output	Stereo minijack	Mass	Approx. 12.0 kg (26 lb 7 oz) (with stand)
Headphones jack			Approx. 9.5 kg (20 lb 15 oz) (without stand)
Audio signal	0.5 Vrms, 47 kΩ	Plug & Play	DDC2B
		Accessories	See page 7.

- * Recommended horizontal and vertical timing condition
- Horizontal sync width duty should be more than 4.8% of total horizontal time or 0.8 μs, whichever is larger.
 - Horizontal blanking width should be more than 2.5 μsec.
 - Vertical blanking width should be more than 450 μsec.

Design and specifications are subject to change without notice.

TFT LCD Color Computer Display
SONY®

SAFETY CHECK-OUT

After correcting the original service problem, perform the following safety checks before releasing the set to the customer:

1. Check the area of your repair for unsoldered or poorly-soldered connections. Check the entire board surface for solder splashes and bridges.
2. Check the interboard wiring to ensure that no wires are “pinched” or contact high-wattage resistors.
3. Check that all control knobs, shields, covers, ground straps, and mounting hardware have been replaced. Be absolutely certain that you have replaced all the insulators.
4. Look for unauthorized replacement parts, particularly transistors, that were installed during a previous repair. Point them out to the customer and recommend their replacement.
5. Look for parts which, though functioning, show obvious signs of deterioration. Point them out to the customer and recommend their replacement.
6. Check the line cords for cracks and abrasion. Recommend the replacement of any such line cord to the customer.
7. Check the B+ and HV to see if they are specified values. Make sure your instruments are accurate; be suspicious of your HV meter if sets always have low HV.
8. Check the antenna terminals, metal trim, “metallized” knobs, screws, and all other exposed metal parts for AC Leakage. Check leakage as described right.

LEAKAGE TEST

The AC leakage from any exposed metal part to earth ground and from all exposed metal parts to any exposed metal part having a return to chassis, must not exceed 0.5 mA (500 microamperes).

Leakage current can be measured by any one of three methods.

1. A commercial leakage tester, such as the Simpson 229 or RCA WT-540A. Follow the manufacturers’ instructions to use these instruments.
2. A battery-operated AC milliammeter. The Data Precision 245 digital multimeter is suitable for this job.
3. Measuring the voltage drop across a resistor by means of a VOM or battery-operated AC voltmeter. The “limit” indication is 0.75 V, so analog meters must have an accurate low-voltage scale. The Simpson 250 and Sanwa SH-63Trd are examples of a passive VOMs that are suitable. Nearly all battery operated digital multimeters that have a 2 V AC range are suitable. (See Fig. A)

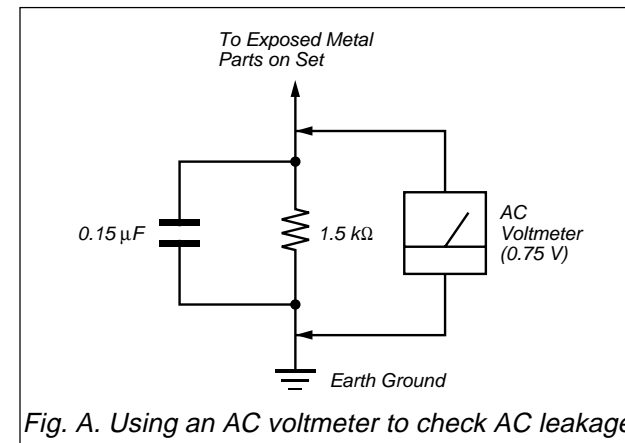


Fig. A. Using an AC voltmeter to check AC leakage.

WARNING!!

NEVER TURN ON THE POWER IN A CONDITION IN WHICH THE DEGAUSS COIL HAS BEEN REMOVED.

SAFETY-RELATED COMPONENT WARNING!!

COMPONENTS IDENTIFIED BY SHADING AND MARK \triangle ON THE SCHEMATIC DIAGRAMS, EXPLODED VIEWS AND IN THE PARTS LIST ARE CRITICAL FOR SAFE OPERATION. REPLACE THESE COMPONENTS WITH SONY PARTS WHOSE PART NUMBERS APPEAR AS SHOWN IN THIS MANUAL OR IN SUPPLEMENTS PUBLISHED BY SONY. CIRCUIT ADJUSTMENTS THAT ARE CRITICAL FOR SAFE OPERATION ARE IDENTIFIED IN THIS MANUAL. FOLLOW THESE PROCEDURES WHENEVER CRITICAL COMPONENTS ARE REPLACED OR IMPROPER OPERATION IS SUSPECTED.

AVERTISSEMENT!!

NE JAMAIS METTRE SOUS TENSION QUAND LA BOBINE DE DEMAGNETISATION EST ENLEVÉE.

ATTENTION AUX COMPOSANTS RELATIFS À LA SÉCURITÉ!! LES COMPOSANTS IDENTIFIÉS PAR UNE TRAME ET UNE MARQUE \triangle SONT CRITIQUES POUR LA SÉCURITÉ. NE LES REMPLACER QUE PAR UNE PIÈCE PORTANT LE NUMÉRO SPECIFIÉ. LES RÉGLAGES DE CIRCUIT DONT L'IMPORTANCE EST CRITIQUE POUR LA SÉCURITÉ DU FONCTIONNEMENT SONT IDENTIFIÉS DANS LE PRÉSENT MANUEL. SUIVRE CES PROCÉDURES LORS DE CHAQUE REMPLACEMENT DE COMPOSANTS CRITIQUES, OU LORSQU'UN MAUVAIS FONCTIONNEMENT EST SUSPECTÉ.

POWER SAVING FUNCTION

This monitor meets the power-saving guidelines set by VESA, ENERGY STAR, and NUTEK. If the monitor is connected to a computer or video graphics board that is DPMS (Display Power Management Signaling) compliant, the monitor will automatically reduce power consumption as shown below.

Power mode	Power consumption	⏻ (power) indicator
normal operation	80 W (max.)	green
active off* (deep sleep)**	approx. 1 W	orange
⏻ (power) off	approx. 1 W	red
main power off	0 W	off

* When your computer enters the “active off” mode, the input signal is cut and “No input signal” appears on the screen. After 20 seconds, the monitor enters the power saving mode.

** “Deep sleep” is a power saving mode defined by the Environmental Protection Agency.

AUTOMATIC PICTURE QUALITY ADJUSTMENT FUNCTION

(ANALOG RGB)

When the monitor receives an input signal, it automatically adjusts the picture’s position and sharpness (phase/pitch), and ensures that a clear picture appears on the screen.

The factory preset mode

When the monitor receives an input signal, it automatically matches the signal to one of the factory preset modes stored in the monitor’s memory to provide a high quality picture at the center of the screen. If the input signal matches the factory preset mode, the picture appears on the screen automatically with the appropriate default adjustments.

If input signals do not match one of the factory preset modes

When the monitor receives an input signal that does not match one of the factory preset modes, the automatic picture quality adjustment function of this monitor is activated to ensure that a clear picture always appears on the screen (within the following monitor frequency ranges):

Horizontal frequency: 28–92 kHz

Vertical frequency: 48–85 Hz

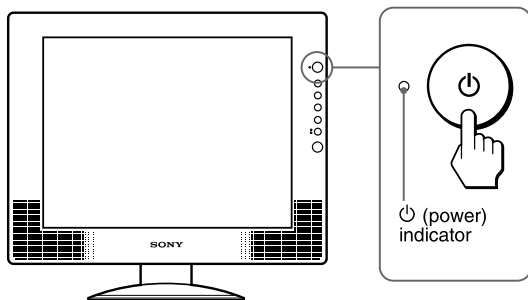
Consequently, the first time the monitor receives input signals that do not match one of the factory preset modes, the monitor may take a longer time than normal to display the picture on the screen. This adjustment data is automatically stored in memory so that next time, the monitor will function in the same way as when the monitor receives the signals that match one of the factory preset modes.

If you adjust the phase, pitch, and picture position manually

For some input signals, the automatic picture quality adjustment function of this monitor may not completely adjust the picture position, phase, and pitch. In this case, you can set these adjustments manually (page 15). If you set these adjustments manually, they are stored in memory as user modes and automatically recalled whenever the monitor receives the same input signals.

SELF DIAGNOSIS

This monitor is equipped with a self-diagnosis function. If there is a problem with your monitor or computer(s), the screen will go blank and the ⏻ (power) indicator will light up green. If the ⏻ (power) indicator is lit in orange, the computer is in power saving mode. Try pressing any key on the keyboard or moving the mouse.



If the picture disappears from the screen and the ⏻ (power) indicator is green

- 1 Turn off the ⏻ (power) switch and disconnect the video signal cables from the monitor.**
- 2 Turn the monitor on by pressing the ⏻ (power) switch.**

If all four color bars appear (white, red, green, blue), the monitor is working properly. Reconnect the video input cables and check the condition of your computer(s).

If the color bars do not appear, there is a potential monitor failure. Inform your authorized Sony dealer of the monitor's condition.

If the ⏻ (power) indicator lights up in orange

Try pressing any key on the keyboard or moving the mouse.

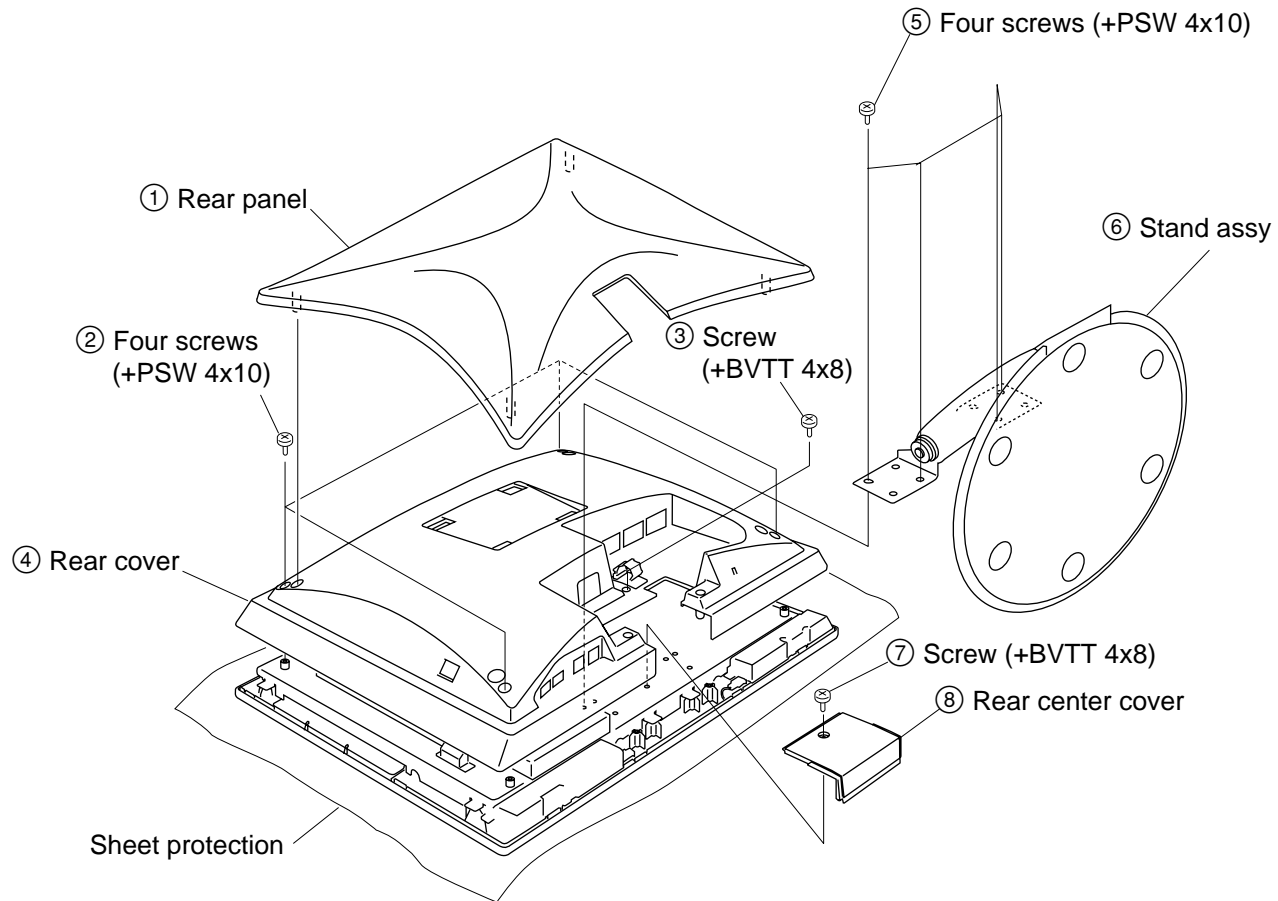
The computer's power saving mode is shut off and the ⏻ (power) indicator lights up in green, and the picture appears on the screen.

TABLE OF CONTENTS

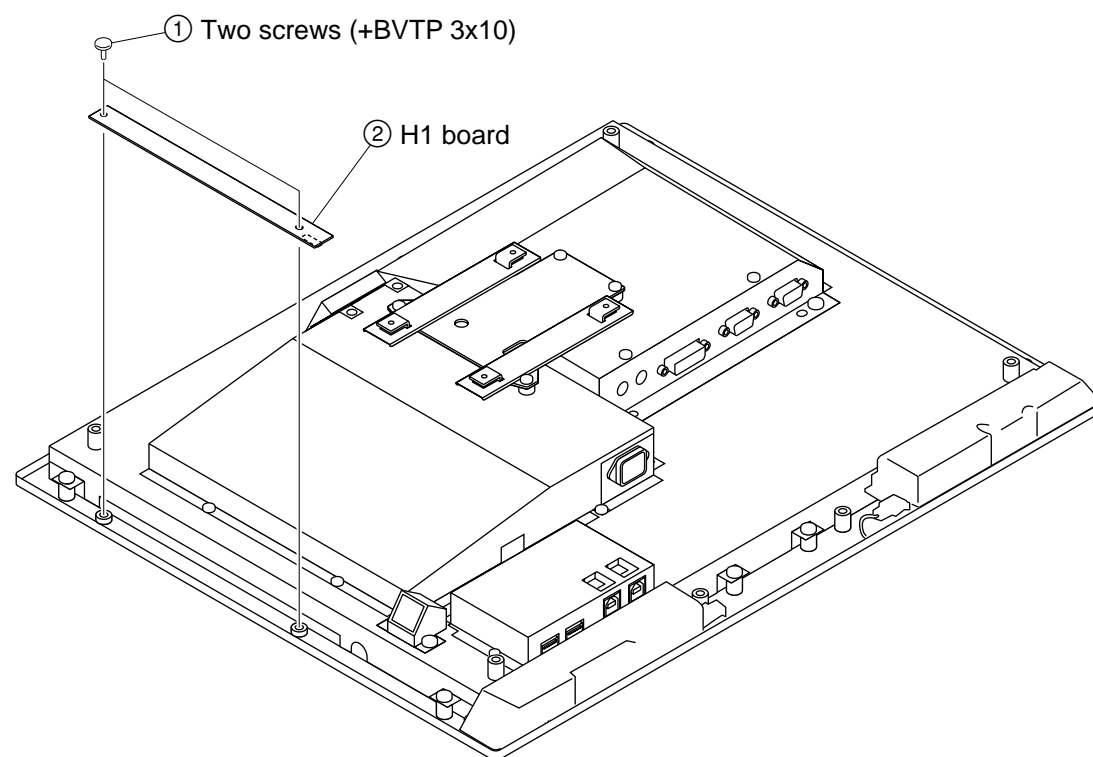
<u>Section</u>	<u>Title</u>	<u>Page</u>	<u>Section</u>	<u>Title</u>	<u>Page</u>
1. DISASSEMBLY					
1-1.	Rear Cover and Stand Assy Removal	1-1			
1-2.	H1 Board Removal	1-2			
1-3.	G and I Boards Removal	1-3			
1-4.	AU Board Removal	1-4			
1-5.	A1 Board Removal	1-5			
1-6.	US Board Removal	1-6			
1-7.	U Board Removal	1-7			
1-8.	Chassis Assy Removal	1-8			
1-9.	LCD Panel Removal	1-9			
2.	DIAGRAMS				
2-1.	Circuit Boards Location	2-1			
3. EXPLODED VIEWS					
3-1.	Chassis	3-2			
3-2.	Packing Materials	3-3			
4. ELECTRICAL PARTS LIST					
		4-1			

SECTION 1 DISASSEMBLY

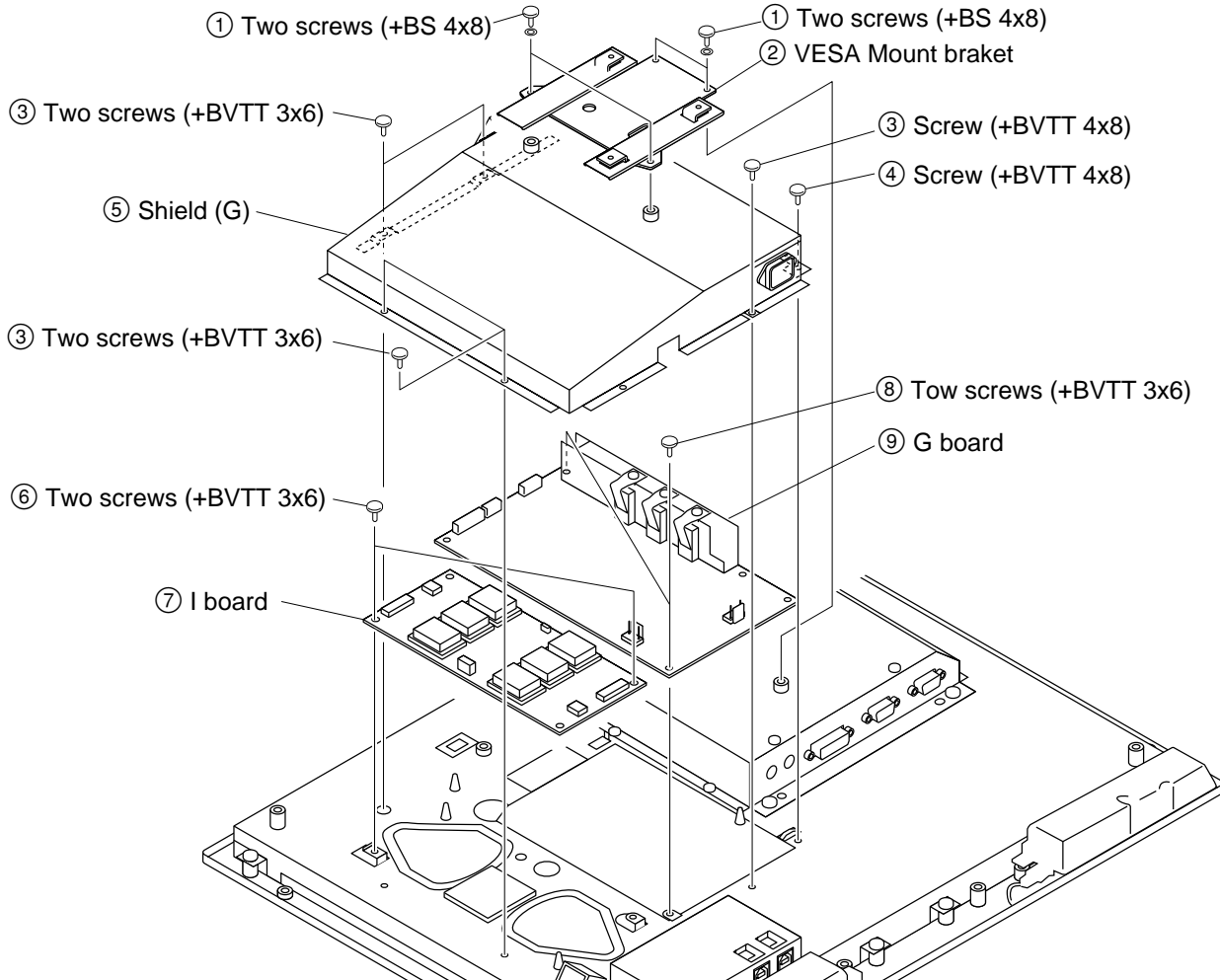
1-1. REAR COVER AND STAND ASSY REMOVAL



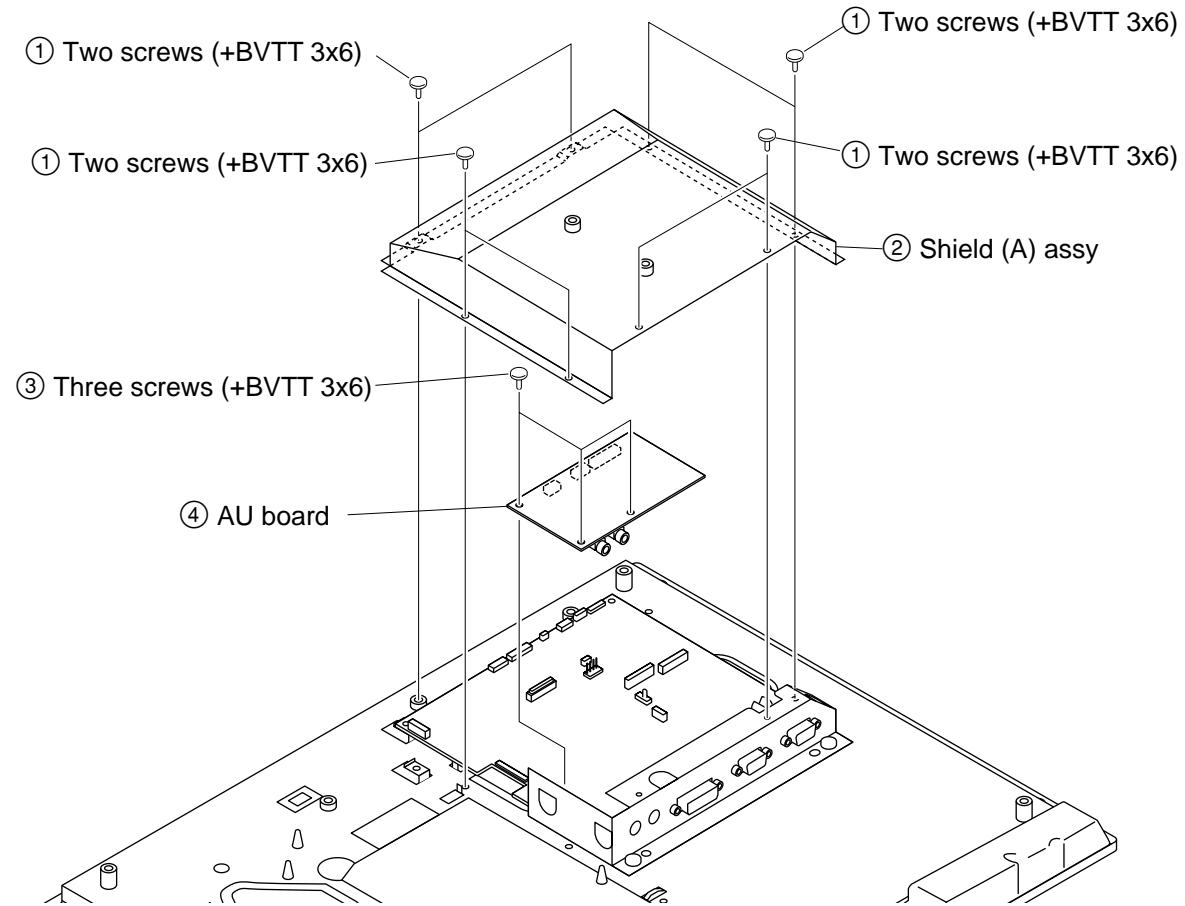
1-2. H1 BOARD REMOVAL



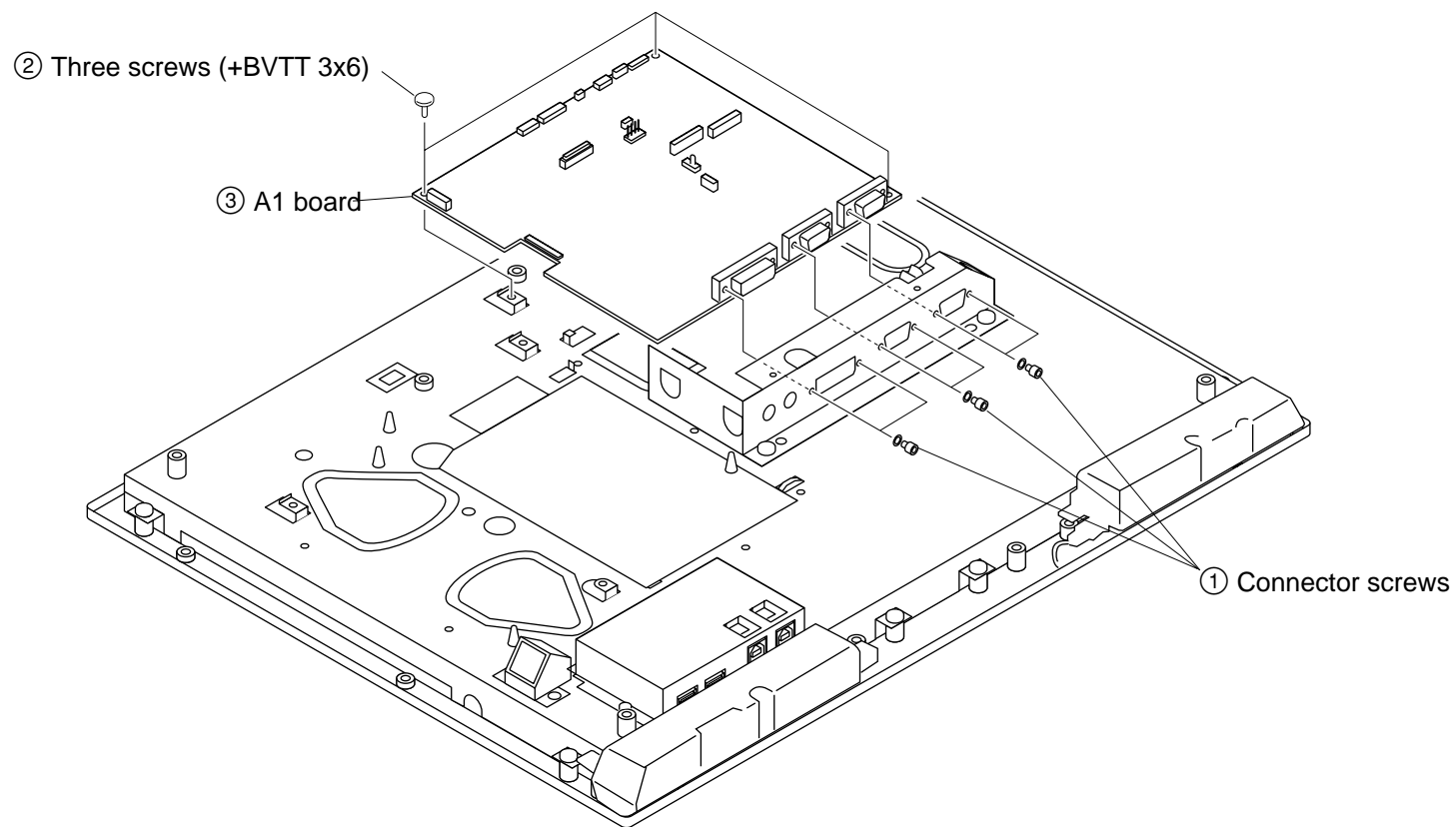
1-3. G AND I BOARDS REMOVAL



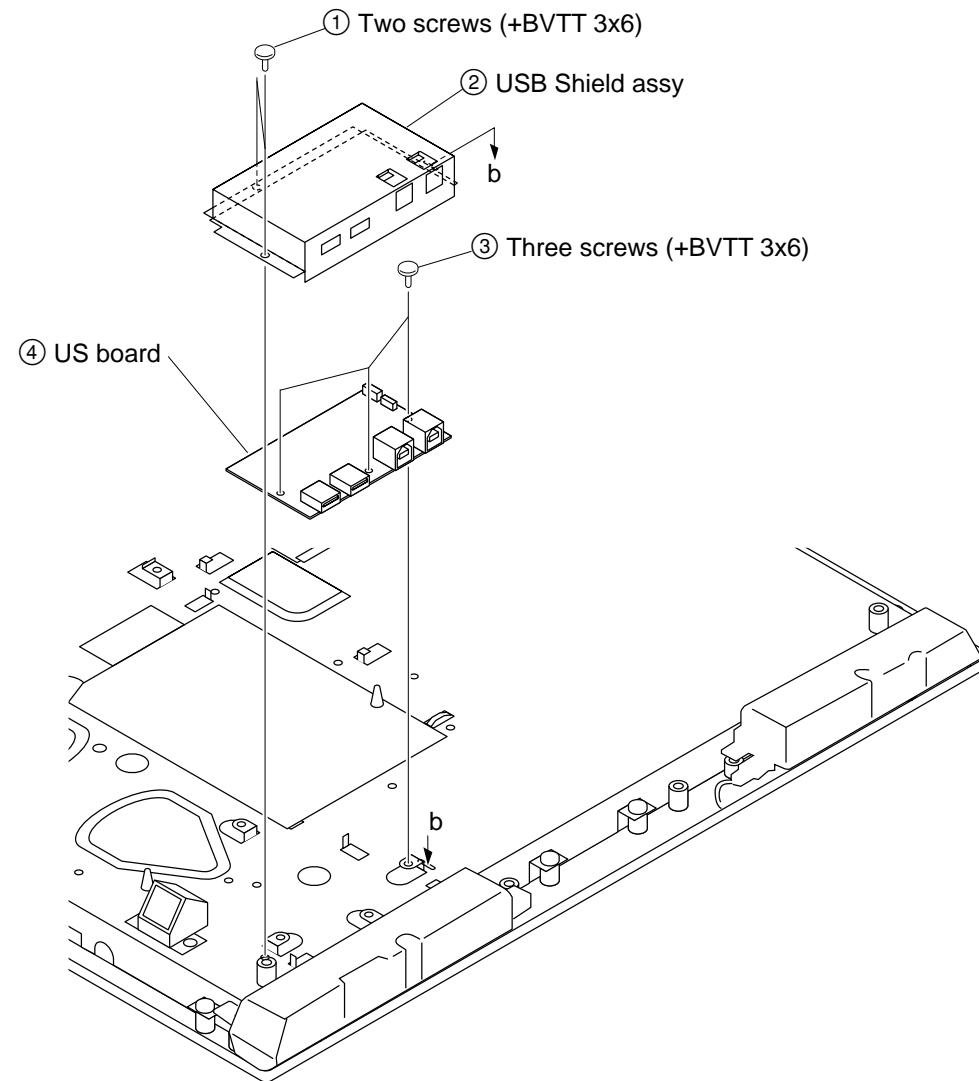
1-4. AU BOARD REMOVAL



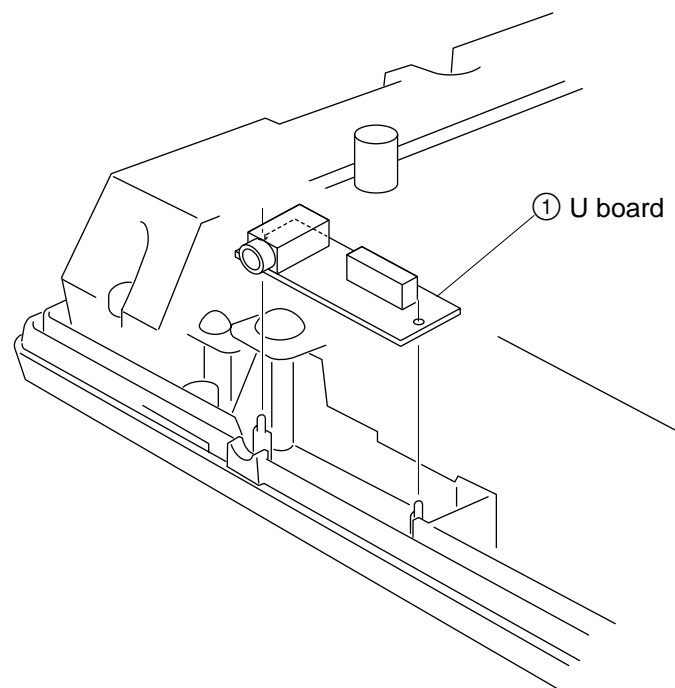
1-5. A1 BOARD REMOVAL



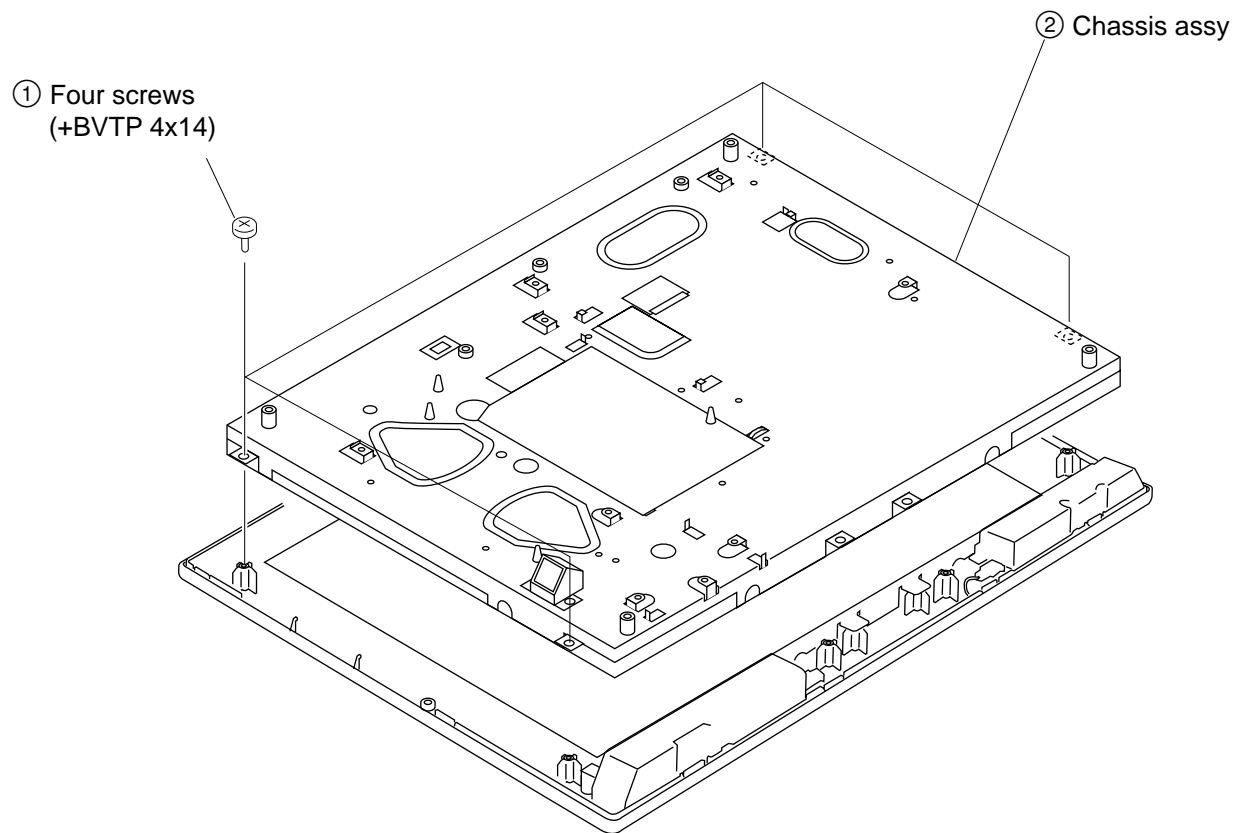
1-6. US BOARD REMOVAL



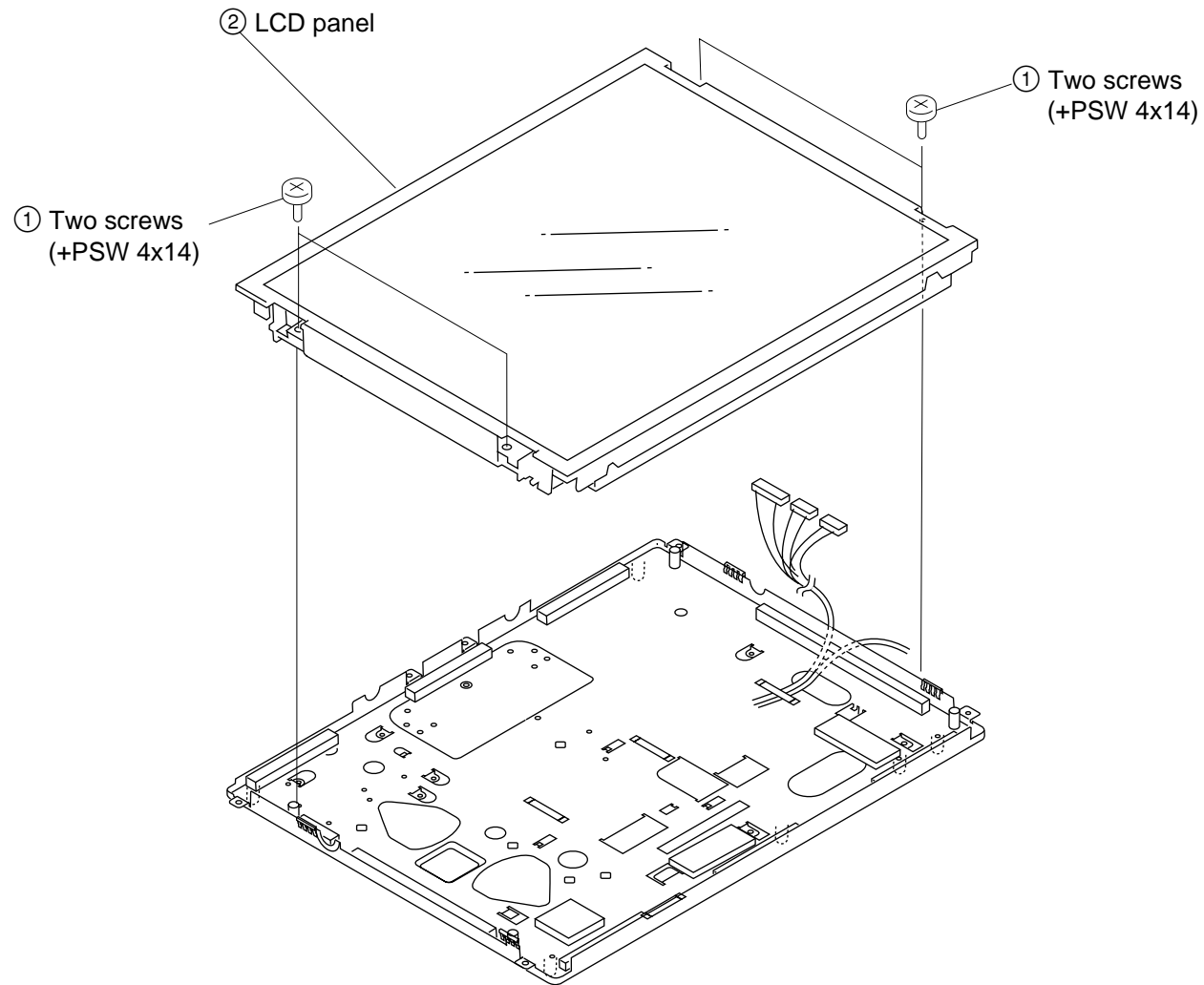
1-7. U BOARD REMOVAL



1-8. CHASSIS ASSY REMOVAL

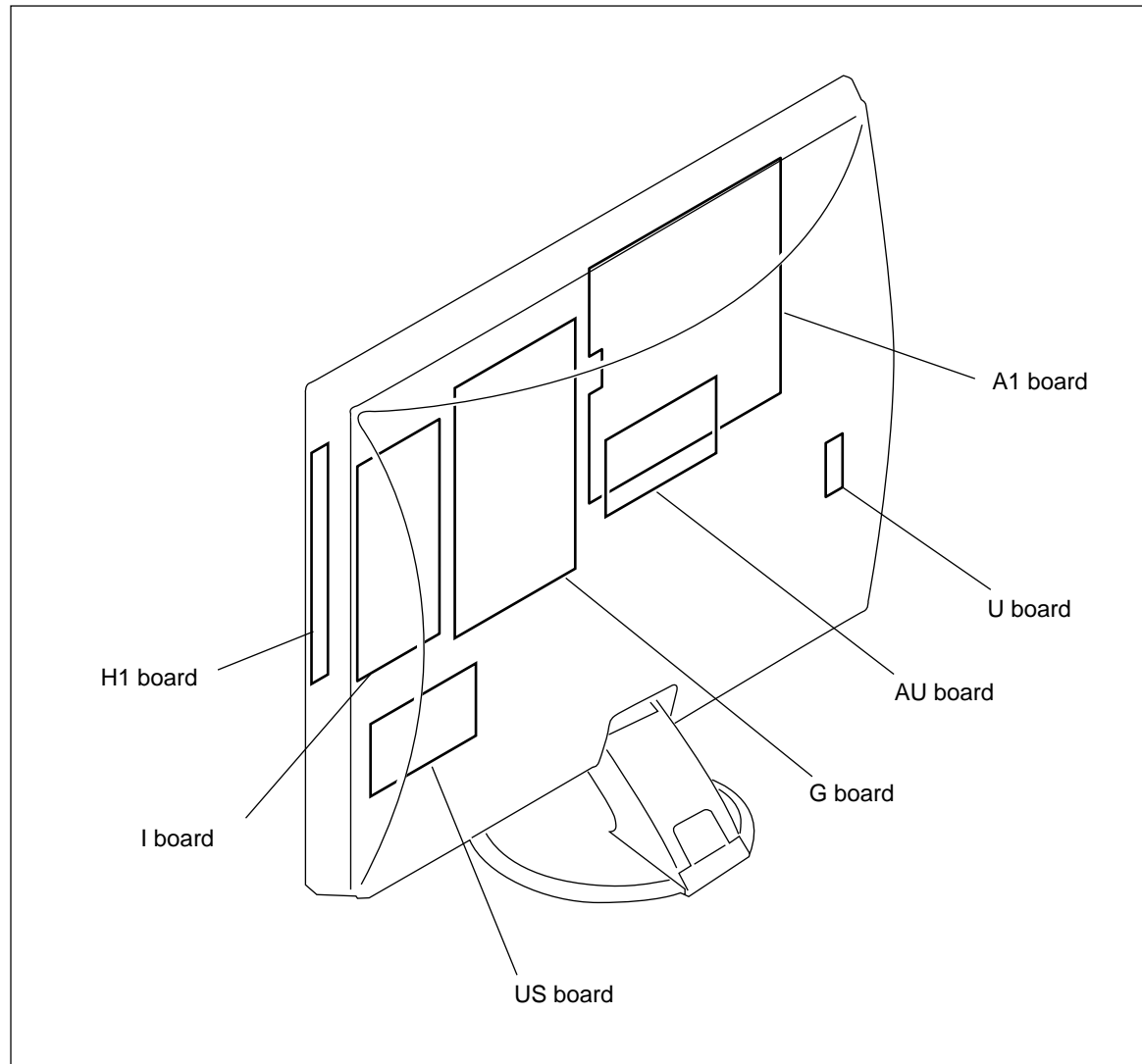


1-9. LCD PANEL REMOVAL



SECTION 2 DIAGRAMS

2-1. CIRCUIT BOARDS LOCATION



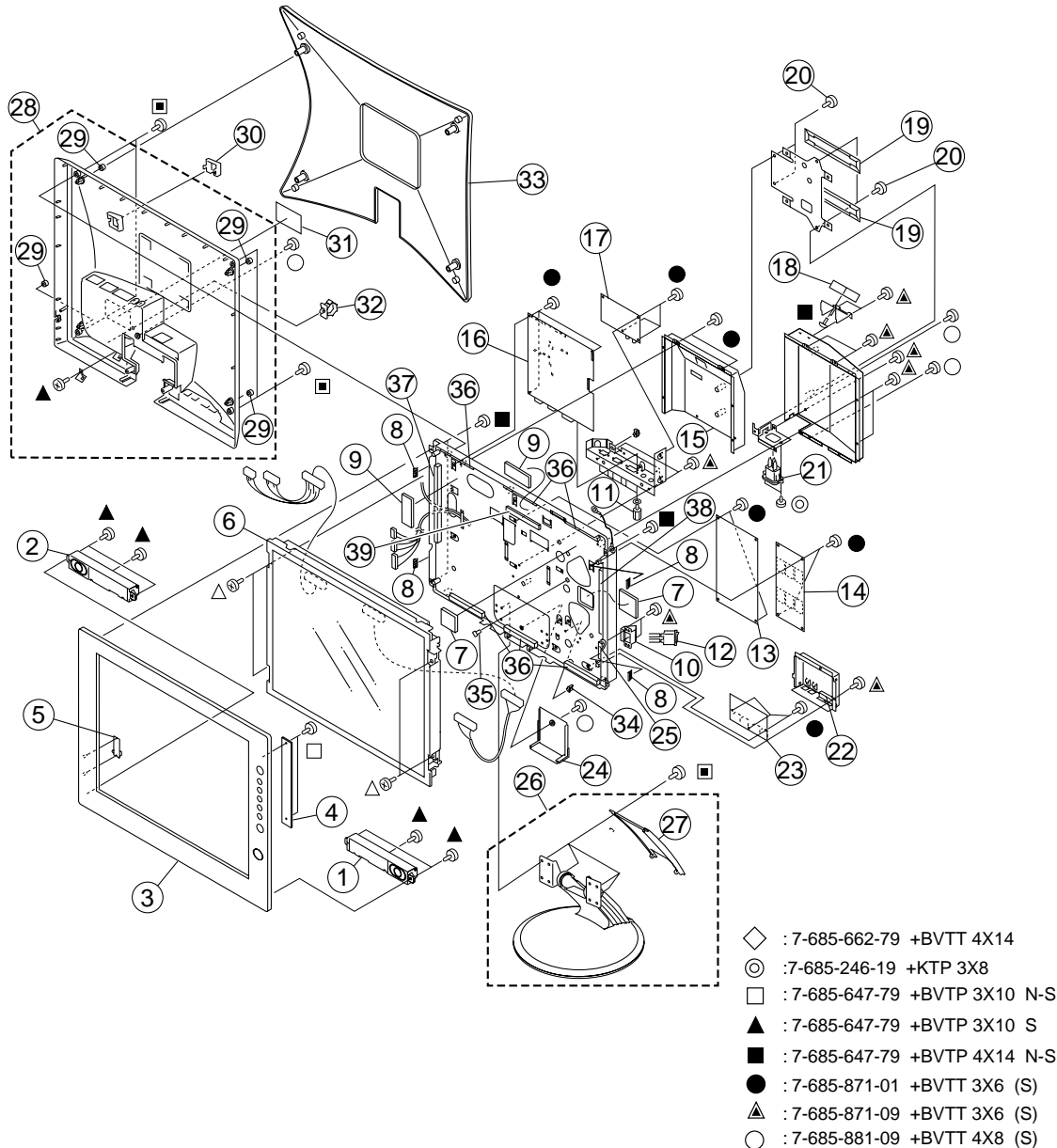
SECTION 3 EXPLODED VIEWS

- Items with no part number and no description are not stocked because they are seldom required for routine service.
- The construction parts of an assembled part are indicated with a collation number in the remark column.
- Items marked " * " are not stocked since they are seldom required for routine service. Some delay should be anticipated when ordering these items.

The components identified \triangle marked are critical for safety.
Replace only with the part number specified.

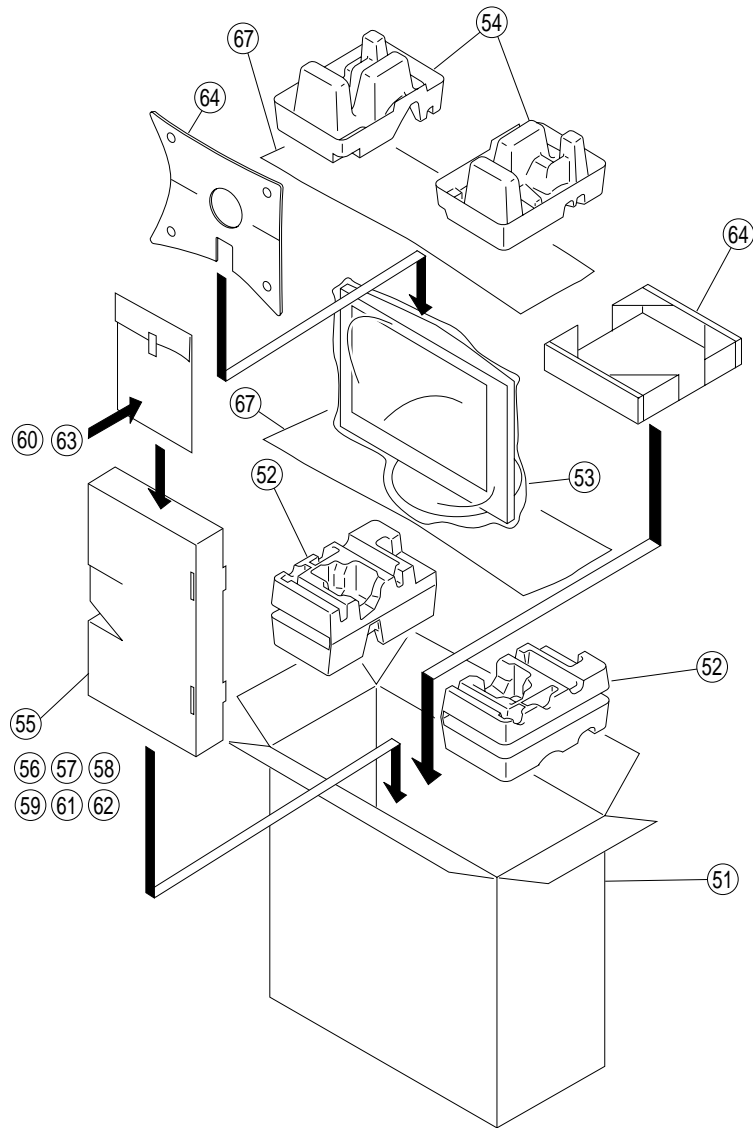
Les composants identifiés par la marque \triangle sont critiques pour la sécurité.
Ne les remplacer que par une pièce portant le numéro spécifié.

3-1. CHASSIS



REF.NO.	PART NO.	DESCRIPTION	REMARK
1	1-825-217-11	BOX ASSY, SPEAKER (R)	
2	1-825-217-21	BOX ASSY, SPEAKER (L)	
3	X-4040-679-2	BEZEL ASSY	
4	A-1401-356-A	H1 MOUNT	
5	A-1401-358-B	U MOUNT	
6	1-804-982-11	LCD PANEL	
7	* 4-090-931-01	SHEET , RADIATION (B)	
8	* 4-091-099-01	FINGER, SHIELD	
9	* 4-090-930-01	SHEET , RADIATION (A)	
10	4-090-487-01	BRACKET, POWER SW	
11	4-635-966-01	SCREW (HEX)	
12	A-1603-558-A	AC SW COMPLETE ASSY	
13	A-1401-353-A	G MOUNT	
14	A-1401-357-A	I MOUNT	
15	X-4040-910-1	SHIELD (A) ASSY	
16	A-1401-354-A	A1 MOUNT	
17	A-1401-355-B	AU MOUNT	
18	1-763-882-11	FAN, COOLING	
19	* 4-090-960-01	VESA BLIND SHEET	
20	4-090-959-01	+BS 4.0X8	
21	1-251-382-31	INLET, AC 3P(WITH NOISE FILTE)	
22	* 4-091-098-01	GASKET (F)	
23	A-1401-359-A	US MOUNT	
24	4-090-485-01	COVER, REAR CENTER	
25	* 4-091-096-01	GASKET (D)	
26	4-090-482-01	STAND	27
27	4-090-483-01	COVER, CODE	
28	X-4040-683-1	REAR COVER ASSY	29
29	4-912-253-01	CATCHER	
30	4-090-488-01	COVER, ECS	
31	* 4-090-164-01	LABEL, INFORMATION	
32	4-091-168-01	CLAMP, CKS	
33	4-090-486-01	PANEL, REAR	
34	* 3-633-259-01	SADDLE,RE-USE WIRE	
35	* 4-069-570-01	SPACER, PWB	
36	* 4-091-093-01	GASKET (A)	
37	* 4-091-094-01	GASKET (B)	
38	* 4-091-095-01	GASKET (C)	
39	* 4-091-097-01	GASKET (E)	

3-2. PACKING MATERIALS



REF.NO.	PART NO.	DESCRIPTION	REMARK
51	* 4-090-324-01	INDIVIDUAL CARTON	
52	* 4-090-323-01	CUSHION, LOWER	
53	* 4-090-400-01	BAG, PROTECTION	
54	* 4-090-322-01	CUSHION, UPPER	
55	* 4-090-326-01	BOX, ACCESSORY	
56	1-757-013-11	CABLE ASSY (15PDSUBCONNECTORX2)	
57	1-765-718-11	CORD SET, POWER	
58	1-775-444-41	CORD, CONNECTION	
59	1-790-081-61	CABLE, USB	
60	1-796-496-11	DISC, CD-ROM	
61	1-824-734-11	CABLE, DVI	
62	1-824-752-11	CABLE ASSY	
63	4-090-496-11	MANUAL, INSTRUCTION	
64	* 4-090-325-01	SPACER	
65	* 4-090-544-01	PALLET, SHEET	
66	* 4-090-545-01	PAD, STAND FIXING	
67	* 4-091-183-01	SHEET, PROTECTION	

SECTION 4

ELECTRICAL PARTS LIST

NOTE:

The components identified \triangle marked are critical for safety.
Replace only with the part number specified.

Les composants identifiés par la marque \triangle sont critiques pour la sécurité.
Ne les remplacer que par une pièce portant le numéro spécifié.

When indicating parts by reference number, please include the board name.

- All variable and adjustable resistors have characteristic curve B, unless otherwise noted.
- Items marked " * " are not stocked since they are seldom required for routine service. Some delay should be anticipated when ordering these items.

RESISTORS

- All resistors are in ohms
- F : nonflammable

No.	#	Board	Type	△/*	Ref.No.	Part No.	Descrption	Remarks-1	Remarks-2	Difference
1		G	CAPACITOR		C502	1-165-541-11	FILM 1UF 10 275V			
2		G	CAPACITOR		C503	1-113-900-11	CERAMIC 470PF 10.00% 250V			
3		G	CAPACITOR		C504	1-113-900-11	CERAMIC 470PF 10.00% 250V			
4		G	CAPACITOR		C505	1-113-924-11	CERAMIC 0.0047UF 20.00% 250V			
5		G	CAPACITOR		C506	1-113-924-11	CERAMIC 0.0047UF 20.00% 250V			
6		G	CAPACITOR		C507	1-113-900-11	CERAMIC 470PF 10.00% 250V			
7		G	CAPACITOR		C508	1-117-227-31	MYLAR 1UF 5.00% 450V			
8		G	CAPACITOR		C509	1-135-361-11	ELECT 180UF 20% 450V			
9		G	CAPACITOR		C510	1-115-339-11	CERAMIC CHIP 0.1UF 10.00% 50V			
10		G	CAPACITOR		C511	1-107-901-11	ELECT 0.47UF 20.00% 50V			
11		G	CAPACITOR		C512	1-162-966-11	CERAMIC CHIP 0.0022UF 10.00% 50V			
12		G	CAPACITOR		C513	1-115-340-11	CERAMIC CHIP 0.22UF 10.00% 25V			
13		G	CAPACITOR		C514	1-162-970-11	CERAMIC CHIP 0.01UF 10.00% 25V			
14		G	CAPACITOR		C515	1-162-964-11	CERAMIC CHIP 0.001UF 10.00% 50V			
15		G	CAPACITOR		C516	1-107-826-11	CERAMIC CHIP 0.1UF 10.00% 16V			
16		G	CAPACITOR		C517	1-107-826-11	CERAMIC CHIP 0.1UF 10.00% 16V			
17		G	CAPACITOR		C530	1-107-910-11	ELECT 100UF 20.00% 50V			
18		G	CAPACITOR		C531	1-115-339-11	CERAMIC CHIP 0.1UF 10.00% 50V			
19		G	CAPACITOR		C532	1-107-909-11	ELECT 47UF 20.00% 50V			
20		G	CAPACITOR		C533	1-107-826-11	CERAMIC CHIP 0.1UF 10.00% 16V			
21		G	CAPACITOR		C540	1-107-909-11	ELECT 47UF 20.00% 50V			
22		G	CAPACITOR		C541	1-115-339-11	CERAMIC CHIP 0.1UF 10.00% 50V			
23		G	CAPACITOR		C542	1-162-964-11	CERAMIC CHIP 0.001UF 10.00% 50V			
24		G	CAPACITOR		C543	1-162-968-11	CERAMIC CHIP 0.0047UF 10.00% 50V			
25		G	CAPACITOR		C544	1-162-966-11	CERAMIC CHIP 0.0022UF 10.00% 50V			
26		G	CAPACITOR		C545	1-128-526-11	ELECT 100UF 20.00% 25V			
27		G	CAPACITOR		C550	1-165-738-21	ELECT 2700UF 20% 25V			
28		G	CAPACITOR		C551	1-165-738-21	ELECT 2700UF 20% 25V			
29		G	CAPACITOR		C553	1-128-528-11	ELECT 470UF 20.00% 25V			
30		G	CAPACITOR		C554	1-107-826-11	CERAMIC CHIP 0.1UF 10.00% 16V			
31		G	CAPACITOR		C555	1-107-826-11	CERAMIC CHIP 0.1UF 10.00% 16V			

No.	#	Board	Type	△/*	Ref.No.	Part No.	Description	Remarks-1	Remarks-2	Difference
32		G	CAPACITOR		C560	1-107-879-11	ELECT 3300UF 20.00% 10V			
33		G	CAPACITOR		C561	1-107-889-11	ELECT 220UF 20.00% 25V			
34		G	CAPACITOR		C562	1-125-891-11	CERAMIC CHIP 0.47UF 10.00% 10V			
35		G	CAPACITOR		C563	1-107-826-11	CERAMIC CHIP 0.1UF 10.00% 16V			
36		G	CAPACITOR		C570	1-136-209-11	MYLAR 0.1UF 10.00% 630V			
37		G	CONNECTOR	*	CN501	1-691-960-11	"PIN, CONNECTOR (PC BOARD) 3P"			
38		G	CONNECTOR	*	CN502	1-691-960-21	"PIN, CONNECTOR (PC BOARD) 3P"			
39		G	CONNECTOR	*	CN503	1-564-508-11	"PLUG, CONNECTOR 5P"			
40		G	CONNECTOR	*	CN504	1-564-511-11	"PLUG, CONNECTOR 8P"			
41		G	CONNECTOR	*	CN505	1-564-507-11	"PLUG, CONNECTOR 4P"			
42		G	DIODE		D502	8-719-304-63	DIODE RM11C			
43		G	DIODE		D503	8-719-029-04	DIODE D5L60			
44		G	DIODE		D505	8-719-110-41	DIODE RD15ESB2			
45		G	DIODE		D506	8-719-110-31	DIODE RD12ESB2			
46		G	DIODE		D530	8-719-066-51	DIODE P6KE170AG23			
47		G	DIODE		D531	8-719-069-63	DIODE ERB38-06V1			
48		G	DIODE		D532	8-719-063-73	DIODE D1NL20U-TR			
49		G	DIODE		D541	8-719-069-63	DIODE ERB38-06V1			
50		G	DIODE		D542	8-719-911-19	DIODE 1SS119-25			
51		G	DIODE		D543	8-719-404-50	DIODE MA111-TX			
52		G	DIODE		D544	8-719-404-50	DIODE MA111-TX			
53		G	DIODE		D550	8-719-074-58	DIODE FCH10A10			
54		G	DIODE		D551	8-719-074-58	DIODE FCH10A10			
55		G	DIODE		D552	8-719-977-28	DIODE DTZ10B			
56		G	DIODE		D560	8-719-022-97	DIODE D2S4MF			
57		G	DIODE		D561	8-719-510-53	DIODE D4SB60L			
58		G	FUSE	△	F501	1-576-231-11	FUSE (H.B.C.)			
59		G	FUSE HOLDER		FH501	1-533-223-11	"HOLDER, FUSE"			
60		G	FUSE HOLDER		FH502	1-533-223-11	"HOLDER, FUSE"			
61		G	IC		IC501	8-759-482-62	IC MC33262P			
62		G	IC		IC530	6-600-148-01	IC TNY264P			

No.	#	Board	Type	△/*	Ref.No.	Part No.	Description	Remarks-1	Remarks-2	Difference
63		G	IC		IC540	8-759-535-32	IC FA13842P			
64		G	IC		IC550	8-759-682-42	IC MM1431ATT			
65		G	IC		IC560	8-759-682-42	IC MM1431ATT			
66		G	COIL		L501	1-406-666-21	INDUCTOR 150UH			
67		G	COIL		L502	1-456-167-11	INDUCTOR 300UH			
68		G	COIL		L550	1-406-657-61	INDUCTOR 4.7UH			
69		G	COIL		L560	1-412-529-11	INDUCTOR 22UH			
70		G	LINE FILTER		LF501	1-456-176-11	"COIL, LINE FILTER"			
71		G	PHOTO COUPLER		PH530	8-749-010-64	PHOTO COUPLER PC123FY2			
72		G	PHOTO COUPLER		PH531	8-749-010-64	PHOTO COUPLER PC123FY2			
73		G	PHOTO COUPLER		PH540	8-749-010-64	PHOTO COUPLER PC123FY2			
74		G	IC LINK	△	PS501	1-533-590-51	"LINK, IC"			
75		G	IC LINK	△	PS502	1-533-591-31	"LINK, IC"			
76		G	IC LINK	△	PS503	1-533-594-31	"LINK, IC"			
77		G	TRANSISTOR		Q501	6-550-335-01	TRANSISTOR 2SK2640-01MR-F119			
78		G	TRANSISTOR		Q502	8-729-033-25	TRANSISTOR DTC114GKA			
79		G	TRANSISTOR		Q503	8-729-033-26	TRANSISTOR DTA114GKAT146			
80		G	TRANSISTOR		Q530	8-729-029-55	TRANSISTOR DTA143ZSA-TP			
81		G	TRANSISTOR		Q531	8-729-027-48	TRANSISTOR DTC115TKA-T146			
82		G	TRANSISTOR		Q532	8-729-029-55	TRANSISTOR DTA143ZSA-TP			
83		G	TRANSISTOR		Q540	6-550-350-01	TRANSISTOR 2SK3265 (LBS2SONY3)			
84		G	TRANSISTOR		Q550	8-729-033-26	TRANSISTOR DTA114GKAT146			
85		G	TRANSISTOR		Q551	8-729-033-25	TRANSISTOR DTC114GKA			
86		G	TRANSISTOR		Q560	8-729-029-66	TRANSISTOR DTC114ESA			
87		G	RESISTOR		R501	1-219-754-11	METAL 680K 5% 1/2W			
88		G	RESISTOR		R502	1-219-440-11	CEMENTED 0.47 10% 5W			
89		G	RESISTOR		R503	1-215-473-00	METAL 150K 1% 1/4W			
90		G	RESISTOR		R504	1-215-473-00	METAL 150K 1% 1/4W			
91		G	RESISTOR		R505	1-215-473-00	METAL 150K 1% 1/4W			
92		G	RESISTOR		R506	1-215-481-00	METAL 330K 1% 1/4W			
93		G	RESISTOR		R507	1-215-483-00	METAL 390K 1% 1/4W			

No.	#	Board	Type	△/*	Ref.No.	Part No.	Descrption	Remarks-1	Remarks-2	Difference
94		G	RESISTOR		R508	1-215-481-00	METAL 330K 1% 1/4W			
95		G	RESISTOR		R509	1-215-481-00	METAL 330K 1% 1/4W			
96		G	RESISTOR		R510	1-217-153-00	METAL 0.47 10% 2W			
97		G	RESISTOR		R511	1-217-153-00	METAL 0.47 10% 2W			
98		G	RESISTOR		R512	1-249-389-11	CARBON 4.7 5% 1/4W			
99		G	RESISTOR		R513	1-249-429-11	CARBON 10K 5% 1/4W			
100		G	RESISTOR		R514	1-215-485-00	METAL 470K 1% 1/4W			
101		G	RESISTOR		R515	1-215-485-00	METAL 470K 1% 1/4W			
102		G	RESISTOR		R516	1-215-487-00	METAL 560K 1% 1/4W			
103		G	RESISTOR		R517	1-218-871-11	METAL CHIP 10K 0.5% 1/10W			
104		G	RESISTOR		R518	1-218-871-11	METAL CHIP 10K 0.5% 1/10W			
105		G	RESISTOR		R519	1-216-817-11	METAL CHIP 470 5% 1/10W			
106		G	RESISTOR		R520	1-215-483-00	METAL 390K 1% 1/4W			
107		G	RESISTOR		R521	1-215-483-00	METAL 390K 1% 1/4W			
108		G	RESISTOR		R522	1-215-483-00	METAL 390K 1% 1/4W			
109		G	RESISTOR		R523	1-218-883-11	METAL CHIP 33K 0.5% 1/10W			
110		G	RESISTOR		R524	1-216-837-11	METAL CHIP 22K 5% 1/10W			
111		G	RESISTOR		R525	1-216-833-11	METAL CHIP 10K 5% 1/10W			
112		G	RESISTOR		R530	1-249-387-11	CARBON 3.3 5% 1/4W			
113		G	RESISTOR		R531	1-260-135-11	CARBON 1M 5% 1/2W			
114		G	RESISTOR		R532	1-260-135-11	CARBON 1M 5% 1/2W			
115		G	RESISTOR		R534	1-218-867-11	METAL CHIP 6.8K 0.5% 1/10W			
116		G	RESISTOR		R535	1-249-401-11	CARBON 47 5% 1/4W			
117		G	RESISTOR		R540	1-220-926-11	FUSIBLE 0.47 10% 1/2W			
118		G	RESISTOR		R541	1-219-729-11	METAL 0.33 10% 5W			
119		G	RESISTOR		R543	1-247-807-31	CARBON 100 5% 1/4W			
120		G	RESISTOR		R544	1-249-433-11	CARBON 22K 5% 1/4W			
121		G	RESISTOR		R545	1-216-813-11	METAL CHIP 220 5% 1/10W			
122		G	RESISTOR		R546	1-249-401-11	CARBON 47 5% 1/4W			
123		G	RESISTOR		R547	1-218-867-11	METAL CHIP 6.8K 0.5% 1/10W			
124		G	RESISTOR		R548	1-216-833-11	METAL CHIP 10K 5% 1/10W			

No.	#	Board	Type	△/*	Ref.No.	Part No.	Description	Remarks-1	Remarks-2	Difference
125		G	RESISTOR		R549	1-218-867-11	METAL CHIP 6.8K 0.5% 1/10W			
126		G	RESISTOR		R550	1-216-813-11	METAL CHIP 220 5% 1/10W			
127		G	RESISTOR		R551	1-216-837-11	METAL CHIP 22K 5% 1/10W			
128		G	RESISTOR		R552	1-218-875-11	METAL CHIP 15K 0.5% 1/10W			
129		G	RESISTOR		R553	1-218-875-11	METAL CHIP 15K 0.5% 1/10W			
130		G	RESISTOR		R554	1-218-849-11	METAL CHIP 1.2K 0.5% 1/10W			
131		G	RESISTOR		R555	1-216-818-11	METAL CHIP 560 5% 1/10W			
132		G	RESISTOR		R556	1-218-871-11	METAL CHIP 10K 0.5% 1/10W			
133		G	RESISTOR		R557	1-218-871-11	METAL CHIP 10K 0.5% 1/10W			
134		G	RESISTOR		R560	1-218-871-11	METAL CHIP 10K 0.5% 1/10W			
135		G	RESISTOR		R561	1-218-870-11	METAL CHIP 9.1K 0.5% 1/10W			
136		G	RESISTOR		R562	1-218-863-11	METAL CHIP 4.7K 0.5% 1/10W			
137		G	RESISTOR		R563	1-216-813-11	METAL CHIP 220 5% 1/10W			
138		G	RESISTOR		R564	1-216-837-11	METAL CHIP 22K 5% 1/10W			
139		G	RESISTOR		R565	1-216-821-11	METAL CHIP 1K 5% 1/10W			
140		G	RESISTOR		R566	1-216-825-11	METAL CHIP 2.2K 5% 1/10W			
141		G	RESISTOR		R570	1-215-927-00	METAL OXIDE 47K 5% 3W			
142		G	RESISTOR		R571	1-215-927-00	METAL OXIDE 47K 5% 3W			
143		G	RESISTOR		R572	1-216-845-11	METAL CHIP 100K 5% 1/10W			
144		G	TRANSFORMER		T530	1-437-939-11	"TRANSFORMER, POWER"			
145		G	TRANSFORMER		T540	1-437-938-11	"TRANSFORMER, POWER (SRT)"			
146		G	THERMISTOR		TH501	1-809-260-11	"THERMISTOR, POWER"			
147		G	VARISTOR		VDR501	1-801-073-31	VARISTOR ERZV14D471			
148		A1	CAPACITOR		C1	1-107-826-11	CERAMIC CHIP 0.1UF 10.00% 16V			
149		A1	CAPACITOR		C2	1-162-927-11	CERAMIC CHIP 100PF 5.00% 50V			
150		A1	CAPACITOR		C3	1-162-927-11	CERAMIC CHIP 100PF 5.00% 50V			
151		A1	CAPACITOR		C4	1-162-927-11	CERAMIC CHIP 100PF 5.00% 50V			
152		A1	CAPACITOR		C5	1-162-927-11	CERAMIC CHIP 100PF 5.00% 50V			
153		A1	CAPACITOR		C8	1-107-826-11	CERAMIC CHIP 0.1UF 10.00% 16V			
154		A1	CAPACITOR		C9	1-107-826-11	CERAMIC CHIP 0.1UF 10.00% 16V			
155		A1	CAPACITOR		C10	1-107-826-11	CERAMIC CHIP 0.1UF 10.00% 16V			

No.	#	Board	Type	△/*	Ref.No.	Part No.	Descrption	Remarks-1	Remarks-2	Difference
156		A1	CAPACITOR		C13	1-164-505-11	CERAMIC CHIP 2.2UF 16V			
157		A1	CAPACITOR		C14	1-162-927-11	CERAMIC CHIP 100PF 5.00% 50V			
158		A1	CAPACITOR		C15	1-162-970-11	CERAMIC CHIP 0.01UF 10.00% 25V			
159		A1	CAPACITOR		C16	1-162-970-11	CERAMIC CHIP 0.01UF 10.00% 25V			
160		A1	CAPACITOR		C17	1-162-927-11	CERAMIC CHIP 100PF 5.00% 50V			
161		A1	CAPACITOR		C18	1-107-826-11	CERAMIC CHIP 0.1UF 10.00% 16V			
162		A1	CAPACITOR		C19	1-107-826-11	CERAMIC CHIP 0.1UF 10.00% 16V			
163		A1	CAPACITOR		C20	1-109-982-11	CERAMIC CHIP 1UF 10.00% 10V			
164		A1	CAPACITOR		C21	1-107-826-11	CERAMIC CHIP 0.1UF 10.00% 16V			
165		A1	CAPACITOR		C22	1-109-982-11	CERAMIC CHIP 1UF 10.00% 10V			
166		A1	CAPACITOR		C23	1-125-891-11	CERAMIC CHIP 0.47UF 10.00% 10V			
167		A1	CAPACITOR		C24	1-109-982-11	CERAMIC CHIP 1UF 10.00% 10V			
168		A1	CAPACITOR		C25	1-125-891-11	CERAMIC CHIP 0.47UF 10.00% 10V			
169		A1	CAPACITOR		C26	1-115-566-11	CERAMIC CHIP 4.7UF 10.00% 10V			
170		A1	CAPACITOR		C27	1-115-340-11	CERAMIC CHIP 0.22UF 10.00% 25V			
171		A1	CAPACITOR		C28	1-107-826-11	CERAMIC CHIP 0.1UF 10.00% 16V			
172		A1	CAPACITOR		C29	1-107-826-11	CERAMIC CHIP 0.1UF 10.00% 16V			
173		A1	CAPACITOR		C30	1-125-891-11	CERAMIC CHIP 0.47UF 10.00% 10V			
174		A1	CAPACITOR		C31	1-107-826-11	CERAMIC CHIP 0.1UF 10.00% 16V			
175		A1	CAPACITOR		C32	1-109-982-11	CERAMIC CHIP 1UF 10.00% 10V			
176		A1	CAPACITOR		C33	1-119-667-11	CERAMIC CHIP 22UF 10V			
177		A1	CAPACITOR		C34	1-115-467-11	CERAMIC CHIP 0.22UF 10.00% 10V			
178		A1	CAPACITOR		C35	1-162-927-11	CERAMIC CHIP 100PF 5.00% 50V			
179		A1	CAPACITOR		C36	1-107-826-11	CERAMIC CHIP 0.1UF 10.00% 16V			
180		A1	CAPACITOR		C37	1-107-826-11	CERAMIC CHIP 0.1UF 10.00% 16V			
181		A1	CAPACITOR		C38	1-107-826-11	CERAMIC CHIP 0.1UF 10.00% 16V			
182		A1	CAPACITOR		C39	1-107-826-11	CERAMIC CHIP 0.1UF 10.00% 16V			
183		A1	CAPACITOR		C40	1-162-967-11	CERAMIC CHIP 0.0033UF 10.00% 50V			
184		A1	CAPACITOR		C41	1-162-967-11	CERAMIC CHIP 0.0033UF 10.00% 50V			
185		A1	CAPACITOR		C42	1-107-826-11	CERAMIC CHIP 0.1UF 10.00% 16V			
186		A1	CAPACITOR		C43	1-107-826-11	CERAMIC CHIP 0.1UF 10.00% 16V			

No.	#	Board	Type	△/*	Ref.No.	Part No.	Descrption	Remarks-1	Remarks-2	Difference
187		A1	CAPACITOR		C44	1-107-826-11	CERAMIC CHIP 0.1UF 10.00% 16V			
188		A1	CAPACITOR		C45	1-107-826-11	CERAMIC CHIP 0.1UF 10.00% 16V			
189		A1	CAPACITOR		C46	1-107-826-11	CERAMIC CHIP 0.1UF 10.00% 16V			
190		A1	CAPACITOR		C47	1-128-995-21	ELECT CHIP 100UF 20% 10V			
191		A1	CAPACITOR		C100	1-107-826-11	CERAMIC CHIP 0.1UF 10.00% 16V			
192		A1	CAPACITOR		C101	1-164-156-11	CERAMIC CHIP 0.1UF 25V			
193		A1	CAPACITOR		C102	1-164-156-11	CERAMIC CHIP 0.1UF 25V			
194		A1	CAPACITOR		C103	1-164-156-11	CERAMIC CHIP 0.1UF 25V			
195		A1	CAPACITOR		C104	1-164-156-11	CERAMIC CHIP 0.1UF 25V			
196		A1	CAPACITOR		C105	1-164-156-11	CERAMIC CHIP 0.1UF 25V			
197		A1	CAPACITOR		C106	1-164-156-11	CERAMIC CHIP 0.1UF 25V			
198		A1	CAPACITOR		C107	1-164-156-11	CERAMIC CHIP 0.1UF 25V			
199		A1	CAPACITOR		C108	1-164-156-11	CERAMIC CHIP 0.1UF 25V			
200		A1	CAPACITOR		C109	1-164-156-11	CERAMIC CHIP 0.1UF 25V			
201		A1	CAPACITOR		C110	1-164-156-11	CERAMIC CHIP 0.1UF 25V			
202		A1	CAPACITOR		C111	1-164-156-11	CERAMIC CHIP 0.1UF 25V			
203		A1	CAPACITOR		C112	1-164-156-11	CERAMIC CHIP 0.1UF 25V			
204		A1	CAPACITOR		C113	1-164-156-11	CERAMIC CHIP 0.1UF 25V			
205		A1	CAPACITOR		C114	1-164-156-11	CERAMIC CHIP 0.1UF 25V			
206		A1	CAPACITOR		C115	1-164-156-11	CERAMIC CHIP 0.1UF 25V			
207		A1	CAPACITOR		C116	1-164-156-11	CERAMIC CHIP 0.1UF 25V			
208		A1	CAPACITOR		C117	1-164-156-11	CERAMIC CHIP 0.1UF 25V			
209		A1	CAPACITOR		C118	1-164-156-11	CERAMIC CHIP 0.1UF 25V			
210		A1	CAPACITOR		C119	1-164-156-11	CERAMIC CHIP 0.1UF 25V			
211		A1	CAPACITOR		C120	1-164-173-11	CERAMIC CHIP 0.0039UF 10.00% 50V			
212		A1	CAPACITOR		C121	1-137-652-91	CERAMIC CHIP 39000PF 10% 16V			
213		A1	CAPACITOR		C122	1-164-156-11	CERAMIC CHIP 0.1UF 25V			
214		A1	CAPACITOR		C123	1-164-156-11	CERAMIC CHIP 0.1UF 25V			
215		A1	CAPACITOR		C124	1-164-156-11	CERAMIC CHIP 0.1UF 25V			
216		A1	CAPACITOR		C125	1-164-156-11	CERAMIC CHIP 0.1UF 25V			
217		A1	CAPACITOR		C126	1-164-156-11	CERAMIC CHIP 0.1UF 25V			

No.	#	Board	Type	△/*	Ref.No.	Part No.	Descrption	Remarks-1	Remarks-2	Difference
218		A1	CAPACITOR		C127	1-164-156-11	CERAMIC CHIP 0.1UF 25V			
219		A1	CAPACITOR		C128	1-164-156-11	CERAMIC CHIP 0.1UF 25V			
220		A1	CAPACITOR		C130	1-127-715-91	CERAMIC CHIP 0.22UF 10% 16V			
221		A1	CAPACITOR		C140	1-127-715-91	CERAMIC CHIP 0.22UF 10% 16V			
222		A1	CAPACITOR		C141	1-115-416-11	CERAMIC CHIP 0.001UF 5.00% 25V			
223		A1	CAPACITOR		C150	1-127-715-91	CERAMIC CHIP 0.22UF 10% 16V			
224		A1	CAPACITOR		C160	1-127-715-91	CERAMIC CHIP 0.22UF 10% 16V			
225		A1	CAPACITOR		C170	1-127-715-91	CERAMIC CHIP 0.22UF 10% 16V			
226		A1	CAPACITOR		C171	1-115-416-11	CERAMIC CHIP 0.001UF 5.00% 25V			
227		A1	CAPACITOR		C180	1-127-715-91	CERAMIC CHIP 0.22UF 10% 16V			
228		A1	CAPACITOR		C301	1-107-826-11	CERAMIC CHIP 0.1UF 10.00% 16V			
229		A1	CAPACITOR		C302	1-164-505-11	CERAMIC CHIP 2.2UF 16V			
230		A1	CAPACITOR		C303	1-164-505-11	CERAMIC CHIP 2.2UF 16V			
231		A1	CAPACITOR		C304	1-107-826-11	CERAMIC CHIP 0.1UF 10.00% 16V			
232		A1	CAPACITOR		C305	1-107-826-11	CERAMIC CHIP 0.1UF 10.00% 16V			
233		A1	CAPACITOR		C306	1-107-826-11	CERAMIC CHIP 0.1UF 10.00% 16V			
234		A1	CAPACITOR		C307	1-107-826-11	CERAMIC CHIP 0.1UF 10.00% 16V			
235		A1	CAPACITOR		C308	1-107-826-11	CERAMIC CHIP 0.1UF 10.00% 16V			
236		A1	CAPACITOR		C309	1-107-826-11	CERAMIC CHIP 0.1UF 10.00% 16V			
237		A1	CAPACITOR		C310	1-164-505-11	CERAMIC CHIP 2.2UF 16V			
238		A1	CAPACITOR		C312	1-107-826-11	CERAMIC CHIP 0.1UF 10.00% 16V			
239		A1	CAPACITOR		C313	1-107-826-11	CERAMIC CHIP 0.1UF 10.00% 16V			
240		A1	CAPACITOR		C314	1-107-826-11	CERAMIC CHIP 0.1UF 10.00% 16V			
241		A1	CAPACITOR		C315	1-107-826-11	CERAMIC CHIP 0.1UF 10.00% 16V			
242		A1	CAPACITOR		C316	1-164-505-11	CERAMIC CHIP 2.2UF 16V			
243		A1	CAPACITOR		C317	1-107-826-11	CERAMIC CHIP 0.1UF 10.00% 16V			
244		A1	CAPACITOR		C318	1-107-826-11	CERAMIC CHIP 0.1UF 10.00% 16V			
245		A1	CAPACITOR		C319	1-128-993-21	ELECT CHIP 22UF 20% 10V			
246		A1	CAPACITOR		C320	1-107-826-11	CERAMIC CHIP 0.1UF 10.00% 16V			
247		A1	CAPACITOR		C321	1-107-826-11	CERAMIC CHIP 0.1UF 10.00% 16V			
248		A1	CAPACITOR		C322	1-164-505-11	CERAMIC CHIP 2.2UF 16V			

No.	#	Board	Type	△/*	Ref.No.	Part No.	Descrption	Remarks-1	Remarks-2	Difference
249		A1	CAPACITOR		C323	1-107-826-11	CERAMIC CHIP 0.1UF 10.00% 16V			
250		A1	CAPACITOR		C401	1-164-156-11	CERAMIC CHIP 0.1UF 25V			
251		A1	CAPACITOR		C402	1-164-156-11	CERAMIC CHIP 0.1UF 25V			
252		A1	CAPACITOR		C403	1-164-156-11	CERAMIC CHIP 0.1UF 25V			
253		A1	CAPACITOR		C404	1-164-156-11	CERAMIC CHIP 0.1UF 25V			
254		A1	CAPACITOR		C405	1-164-156-11	CERAMIC CHIP 0.1UF 25V			
255		A1	CAPACITOR		C406	1-164-156-11	CERAMIC CHIP 0.1UF 25V			
256		A1	CAPACITOR		C407	1-164-156-11	CERAMIC CHIP 0.1UF 25V			
257		A1	CAPACITOR		C408	1-164-156-11	CERAMIC CHIP 0.1UF 25V			
258		A1	CAPACITOR		C409	1-164-156-11	CERAMIC CHIP 0.1UF 25V			
259		A1	CAPACITOR		C410	1-164-156-11	CERAMIC CHIP 0.1UF 25V			
260		A1	CAPACITOR		C411	1-162-970-11	CERAMIC CHIP 0.01UF 10.00% 25V			
261		A1	CAPACITOR		C412	1-107-826-11	CERAMIC CHIP 0.1UF 10.00% 16V			
262		A1	CAPACITOR		C413	1-162-970-11	CERAMIC CHIP 0.01UF 10.00% 25V			
263		A1	CAPACITOR		C414	1-162-970-11	CERAMIC CHIP 0.01UF 10.00% 25V			
264		A1	CAPACITOR		C415	1-107-826-11	CERAMIC CHIP 0.1UF 10.00% 16V			
265		A1	CAPACITOR		C416	1-126-209-11	ELECT CHIP 100UF 20.00% 4V			
266		A1	CAPACITOR		C417	1-119-667-11	CERAMIC CHIP 22UF 10V			
267		A1	CAPACITOR		C418	1-107-826-11	CERAMIC CHIP 0.1UF 10.00% 16V			
268		A1	CAPACITOR		C419	1-107-826-11	CERAMIC CHIP 0.1UF 10.00% 16V			
269		A1	CAPACITOR		C420	1-107-826-11	CERAMIC CHIP 0.1UF 10.00% 16V			
270		A1	CAPACITOR		C421	1-107-826-11	CERAMIC CHIP 0.1UF 10.00% 16V			
271		A1	CAPACITOR		C422	1-119-667-11	CERAMIC CHIP 22UF 10V			
272		A1	CAPACITOR		C423	1-107-826-11	CERAMIC CHIP 0.1UF 10.00% 16V			
273		A1	CAPACITOR		C424	1-107-826-11	CERAMIC CHIP 0.1UF 10.00% 16V			
274		A1	CAPACITOR		C425	1-107-826-11	CERAMIC CHIP 0.1UF 10.00% 16V			
275		A1	CAPACITOR		C426	1-107-826-11	CERAMIC CHIP 0.1UF 10.00% 16V			
276		A1	CAPACITOR		C427	1-107-826-11	CERAMIC CHIP 0.1UF 10.00% 16V			
277		A1	CAPACITOR		C428	1-107-826-11	CERAMIC CHIP 0.1UF 10.00% 16V			
278		A1	CAPACITOR		C429	1-119-667-11	CERAMIC CHIP 22UF 10V			
279		A1	CAPACITOR		C430	1-107-826-11	CERAMIC CHIP 0.1UF 10.00% 16V			

No.	#	Board	Type	△/*	Ref.No.	Part No.	Descrption	Remarks-1	Remarks-2	Difference
280		A1	CAPACITOR		C431	1-119-667-11	CERAMIC CHIP 22UF 10V			
281		A1	CAPACITOR		C432	1-107-826-11	CERAMIC CHIP 0.1UF 10.00% 16V			
282		A1	CAPACITOR		C434	1-107-826-11	CERAMIC CHIP 0.1UF 10.00% 16V			
283		A1	CAPACITOR		C435	1-107-826-11	CERAMIC CHIP 0.1UF 10.00% 16V			
284		A1	CAPACITOR		C436	1-107-826-11	CERAMIC CHIP 0.1UF 10.00% 16V			
285		A1	CAPACITOR		C437	1-107-826-11	CERAMIC CHIP 0.1UF 10.00% 16V			
286		A1	CAPACITOR		C438	1-107-826-11	CERAMIC CHIP 0.1UF 10.00% 16V			
287		A1	CAPACITOR		C439	1-107-826-11	CERAMIC CHIP 0.1UF 10.00% 16V			
288		A1	CAPACITOR		C441	1-107-826-11	CERAMIC CHIP 0.1UF 10.00% 16V			
289		A1	CAPACITOR		C442	1-107-826-11	CERAMIC CHIP 0.1UF 10.00% 16V			
290		A1	CAPACITOR		C443	1-107-826-11	CERAMIC CHIP 0.1UF 10.00% 16V			
291		A1	CAPACITOR		C444	1-107-826-11	CERAMIC CHIP 0.1UF 10.00% 16V			
292		A1	CAPACITOR		C445	1-107-826-11	CERAMIC CHIP 0.1UF 10.00% 16V			
293		A1	CAPACITOR		C446	1-107-826-11	CERAMIC CHIP 0.1UF 10.00% 16V			
294		A1	CAPACITOR		C447	1-107-826-11	CERAMIC CHIP 0.1UF 10.00% 16V			
295		A1	CAPACITOR		C448	1-107-826-11	CERAMIC CHIP 0.1UF 10.00% 16V			
296		A1	CAPACITOR		C449	1-107-826-11	CERAMIC CHIP 0.1UF 10.00% 16V			
297		A1	CAPACITOR		C450	1-107-826-11	CERAMIC CHIP 0.1UF 10.00% 16V			
298		A1	CAPACITOR		C452	1-107-826-11	CERAMIC CHIP 0.1UF 10.00% 16V			
299		A1	CAPACITOR		C453	1-107-826-11	CERAMIC CHIP 0.1UF 10.00% 16V			
300		A1	CAPACITOR		C454	1-162-927-11	CERAMIC CHIP 100PF 5.00% 50V			
301		A1	CAPACITOR		C455	1-107-826-11	CERAMIC CHIP 0.1UF 10.00% 16V			
302		A1	CAPACITOR		C456	1-107-826-11	CERAMIC CHIP 0.1UF 10.00% 16V			
303		A1	CAPACITOR		C457	1-125-837-91	CERAMIC CHIP 1UF 10% 6.3V			
304		A1	CAPACITOR		C458	1-125-837-91	CERAMIC CHIP 1UF 10% 6.3V			
305		A1	CAPACITOR		C459	1-107-826-11	CERAMIC CHIP 0.1UF 10.00% 16V			
306		A1	CAPACITOR		C460	1-107-826-11	CERAMIC CHIP 0.1UF 10.00% 16V			
307		A1	CAPACITOR		C461	1-107-826-11	CERAMIC CHIP 0.1UF 10.00% 16V			
308		A1	CAPACITOR		C462	1-107-826-11	CERAMIC CHIP 0.1UF 10.00% 16V			
309		A1	CAPACITOR		C600	1-127-573-11	CERAMIC CHIP 1UF 10% 16V			
310		A1	CAPACITOR		C601	1-127-692-11	CERAMIC CHIP 10UF 10% 16V			

No.	#	Board	Type	△/*	Ref.No.	Part No.	Description	Remarks-1	Remarks-2	Difference
311		A1	CAPACITOR		C602	1-124-779-00	ELECT CHIP 10UF 20.00% 16V			
312		A1	CAPACITOR		C603	1-115-340-11	CERAMIC CHIP 0.22UF 10.00% 25V			
313		A1	CAPACITOR		C604	1-119-869-91	CERAMIC CHIP 0PF 0V			
314		A1	CAPACITOR		C605	1-100-309-21	ELECT CHIP 22UF 20% 25V			
315		A1	CAPACITOR		C606	1-100-309-21	ELECT CHIP 22UF 20% 25V			
316		A1	CAPACITOR		C607	1-115-340-11	CERAMIC CHIP 0.22UF 10.00% 25V			
317		A1	CAPACITOR		C608	1-115-340-11	CERAMIC CHIP 0.22UF 10.00% 25V			
318		A1	CAPACITOR		C609	1-162-970-11	CERAMIC CHIP 0.01UF 10.00% 25V			
319		A1	CAPACITOR		C610	1-162-923-11	CERAMIC CHIP 47PF 5.00% 50V			
320		A1	CAPACITOR		C611	1-162-970-11	CERAMIC CHIP 0.01UF 10.00% 25V			
321		A1	CAPACITOR		C612	1-162-970-11	CERAMIC CHIP 0.01UF 10.00% 25V			
322		A1	CAPACITOR		C613	1-162-970-11	CERAMIC CHIP 0.01UF 10.00% 25V			
323		A1	CAPACITOR		C615	1-162-970-11	CERAMIC CHIP 0.01UF 10.00% 25V			
324		A1	CAPACITOR		C616	1-162-970-11	CERAMIC CHIP 0.01UF 10.00% 25V			
325		A1	CAPACITOR		C617	1-127-692-11	CERAMIC CHIP 10UF 10% 16V			
326		A1	CAPACITOR		C618	1-127-692-11	CERAMIC CHIP 10UF 10% 16V			
327		A1	CAPACITOR		C619	1-127-692-11	CERAMIC CHIP 10UF 10% 16V			
328		A1	CAPACITOR		C620	1-131-603-22	TANTAL. CHIP 100UF 20% 10V			
329		A1	CAPACITOR		C621	1-128-706-22	TANTAL. CHIP 150UF 20% 6.3V			
330		A1	CAPACITOR		C622	1-131-603-22	TANTAL. CHIP 100UF 20% 10V			
331		A1	CAPACITOR		C623	1-128-706-22	TANTAL. CHIP 150UF 20% 6.3V			
332		A1	CAPACITOR		C626	1-128-994-21	ELECT CHIP 47UF 20% 10V			
333		A1	CAPACITOR		C632	1-135-595-21	ELECT 100UF 20% 6.3V			
334		A1	CAPACITOR		C633	1-128-994-21	ELECT CHIP 47UF 20% 10V			
335		A1	CAPACITOR		C636	1-128-993-21	ELECT CHIP 22UF 20% 10V			
336		A1	CAPACITOR		C637	1-119-869-91	CERAMIC CHIP 0PF 0V			
337		A1	CAPACITOR		C638	1-164-156-11	CERAMIC CHIP 0.1UF 25V			
338		A1	CAPACITOR		C639	1-127-573-11	CERAMIC CHIP 1UF 10% 16V			
339		A1	CAPACITOR		C640	1-127-573-11	CERAMIC CHIP 1UF 10% 16V			
340		A1	CAPACITOR		C641	1-107-826-11	CERAMIC CHIP 0.1UF 10.00% 16V			
341		A1	CAPACITOR		C642	1-107-826-11	CERAMIC CHIP 0.1UF 10.00% 16V			

No.	#	Board	Type	△/*	Ref.No.	Part No.	Descrption	Remarks-1	Remarks-2	Difference
342		A1	CAPACITOR		C643	1-127-861-11	CERAMIC CHIP 2.2UF 10% 16V			
343		A1	CAPACITOR		C644	1-127-861-11	CERAMIC CHIP 2.2UF 10% 16V			
344		A1	CAPACITOR		C645	1-107-826-11	CERAMIC CHIP 0.1UF 10.00% 16V			
345		A1	CAPACITOR		C646	1-127-861-11	CERAMIC CHIP 2.2UF 10% 16V			
346		A1	CAPACITOR		C647	1-107-826-11	CERAMIC CHIP 0.1UF 10.00% 16V			
347		A1	CAPACITOR		C648	1-135-595-21	ELECT 100UF 20% 6.3V			
348		A1	CAPACITOR		C649	1-128-993-21	ELECT CHIP 22UF 20% 10V			
349		A1	CAPACITOR		C650	1-126-206-11	ELECT CHIP 100UF 20.00% 6.3V			
350		A1	CAPACITOR		C701	1-107-826-11	CERAMIC CHIP 0.1UF 10.00% 16V			
351		A1	CAPACITOR		C702	1-164-156-11	CERAMIC CHIP 0.1UF 25V			
352		A1	CAPACITOR		C703	1-164-156-11	CERAMIC CHIP 0.1UF 25V			
353		A1	CAPACITOR		C704	1-107-826-11	CERAMIC CHIP 0.1UF 10.00% 16V			
354		A1	CAPACITOR		C705	1-107-826-11	CERAMIC CHIP 0.1UF 10.00% 16V			
355		A1	CAPACITOR		C706	1-125-988-21	ELECT CHIP 330UF 20.00% 25V			
356		A1	CAPACITOR		C707	1-164-156-11	CERAMIC CHIP 0.1UF 25V			
357		A1	CAPACITOR		C708	1-164-156-11	CERAMIC CHIP 0.1UF 25V			
358		A1	CAPACITOR		C709	1-164-156-11	CERAMIC CHIP 0.1UF 25V			
359		A1	CAPACITOR		C710	1-107-826-11	CERAMIC CHIP 0.1UF 10.00% 16V			
360		A1	CAPACITOR		C711	1-107-826-11	CERAMIC CHIP 0.1UF 10.00% 16V			
361		A1	CAPACITOR		C712	1-107-826-11	CERAMIC CHIP 0.1UF 10.00% 16V			
362		A1	CAPACITOR		C713	1-115-566-11	CERAMIC CHIP 4.7UF 10.00% 10V			
363		A1	CAPACITOR		C714	1-107-826-11	CERAMIC CHIP 0.1UF 10.00% 16V			
364		A1	CAPACITOR		C715	1-107-826-11	CERAMIC CHIP 0.1UF 10.00% 16V			
365		A1	CAPACITOR		C716	1-107-826-11	CERAMIC CHIP 0.1UF 10.00% 16V			
366		A1	CAPACITOR		C717	1-107-826-11	CERAMIC CHIP 0.1UF 10.00% 16V			
367		A1	CAPACITOR		C718	1-162-915-11	CERAMIC CHIP 10PF 0.50PF 50V			
368		A1	CAPACITOR		C719	1-107-826-11	CERAMIC CHIP 0.1UF 10.00% 16V			
369		A1	CAPACITOR		C720	1-162-915-11	CERAMIC CHIP 10PF 0.50PF 50V			
370		A1	CAPACITOR		C721	1-162-974-11	CERAMIC CHIP 0.01UF 50V			
371		A1	CAPACITOR		C722	1-107-826-11	CERAMIC CHIP 0.1UF 10.00% 16V			
372		A1	CAPACITOR		C723	1-107-826-11	CERAMIC CHIP 0.1UF 10.00% 16V			

No.	#	Board	Type	△/*	Ref.No.	Part No.	Description	Remarks-1	Remarks-2	Difference
373		A1	CAPACITOR		C724	1-107-826-11	CERAMIC CHIP 0.1UF 10.00% 16V			
374		A1	CAPACITOR		C725	1-115-156-11	CERAMIC CHIP 1UF 10V			
375		A1	CAPACITOR		C726	1-107-826-11	CERAMIC CHIP 0.1UF 10.00% 16V			
376		A1	CAPACITOR		C727	1-107-826-11	CERAMIC CHIP 0.1UF 10.00% 16V			
377		A1	CAPACITOR		C728	1-164-156-11	CERAMIC CHIP 0.1UF 25V			
378		A1	CAPACITOR		C729	1-115-566-11	CERAMIC CHIP 4.7UF 10.00% 10V			
379		A1	CAPACITOR		C801	1-164-260-11	CERAMIC CHIP 47PF 5.00% 50V			
380		A1	CAPACITOR		C802	1-164-360-11	CERAMIC CHIP 0.1UF 16V			
381		A1	CAPACITOR		C803	1-164-360-11	CERAMIC CHIP 0.1UF 16V			
382		A1	CAPACITOR		C804	1-164-360-11	CERAMIC CHIP 0.1UF 16V			
383		A1	CAPACITOR		C805	1-164-260-11	CERAMIC CHIP 47PF 5.00% 50V			
384		A1	CAPACITOR		C806	1-164-260-11	CERAMIC CHIP 47PF 5.00% 50V			
385		A1	CAPACITOR		C807	1-164-260-11	CERAMIC CHIP 47PF 5.00% 50V			
386		A1	CAPACITOR		C808	1-164-360-11	CERAMIC CHIP 0.1UF 16V			
387		A1	CAPACITOR		C809	1-164-260-11	CERAMIC CHIP 47PF 5.00% 50V			
388		A1	CAPACITOR		C810	1-164-360-11	CERAMIC CHIP 0.1UF 16V			
389		A1	CAPACITOR		C811	1-164-360-11	CERAMIC CHIP 0.1UF 16V			
390		A1	CAPACITOR		C812	1-164-360-11	CERAMIC CHIP 0.1UF 16V			
391		A1	CAPACITOR		C813	1-164-360-11	CERAMIC CHIP 0.1UF 16V			
392		A1	CAPACITOR		C815	1-127-760-11	CERAMIC CHIP 4.7UF 10% 6.3V			
393		A1	CAPACITOR		C816	1-127-760-11	CERAMIC CHIP 4.7UF 10% 6.3V			
394		A1	CAPACITOR		C817	1-127-760-11	CERAMIC CHIP 4.7UF 10% 6.3V			
395		A1	CAPACITOR		C818	1-127-760-11	CERAMIC CHIP 4.7UF 10% 6.3V			
396		A1	CAPACITOR		C819	1-126-933-11	ELECT 100UF 20.00% 16V			
397		A1	CONNECTOR		CN100	1-794-930-21	"CONNECTOR, D SUB"			
398		A1	CONNECTOR		CN101	1-794-930-21	"CONNECTOR, D SUB"			
399		A1	CONNECTOR		CN301	1-817-074-11	DVI CONNECTOR			
400		A1	CONNECTOR		CN401	1-784-210-21	CONNECTOR 7P			
401		A1	CONNECTOR	*	CN402	1-785-306-21	"CONNECTOR, BOARD TO BOARD70P"			
402		A1	CONNECTOR		CN601	1-785-946-21	CONNECTOR 3P			
403		A1	CONNECTOR	*	CN602	1-691-591-11	"PIN, CONNECTOR (1.5MM) (SMD)8P"			

No.	#	Board	Type	△/*	Ref.No.	Part No.	Description	Remarks-1	Remarks-2	Difference
404		A1	CONNECTOR	*	CN603	1-760-388-11	CONNECTOR PIN (SMD) 9P			
405		A1	CONNECTOR	*	CN604	1-580-789-21	"PIN, CONNECTOR (SMD) 6P"			
406		A1	CONNECTOR		CN701	1-766-383-11	"PIN, CONNECTOR (1.5MM)(SMD)12P"			
407		A1	CONNECTOR		CN702	1-779-884-11	CONNECTOR 4P			
408		A1	CONNECTOR		CN703	1-779-936-21	"CONNECTOR, FFC/FPC 18P"			
409		A1	CONNECTOR	*	CN704	1-560-062-00	"PIN, CONNECTOR 4P"			
410		A1	CONNECTOR	*	CN705	1-580-057-11	"PIN, CONNECTOR (SMD) 4P"			
411		A1	CONNECTOR		CN706	1-785-627-21	"PIN, CONNECTOR (PC BOARD) 10P"			
412		A1	CONNECTOR		CN707	1-784-210-21	CONNECTOR 7P			
413		A1	CONNECTOR		CN801	1-816-989-11	"PIN, CONNECTOR"			
414		A1	DIODE		D1	8-719-988-61	DIODE 1SS355TE-17			
415		A1	DIODE		D100	8-719-073-39	DIODE HZU5.6GTRF			
416		A1	DIODE		D101	8-719-073-39	DIODE HZU5.6GTRF			
417		A1	DIODE		D102	8-719-073-39	DIODE HZU5.6GTRF			
418		A1	DIODE		D103	8-719-073-39	DIODE HZU5.6GTRF			
419		A1	DIODE		D104	8-719-404-50	DIODE MA111-TX			
420		A1	DIODE		D105	8-719-801-78	DIODE 1SS184			
421		A1	DIODE		D106	8-719-073-39	DIODE HZU5.6GTRF			
422		A1	DIODE		D130	8-719-024-71	DIODE 1SS362-TE85L			
423		A1	DIODE		D140	8-719-024-71	DIODE 1SS362-TE85L			
424		A1	DIODE		D150	8-719-024-71	DIODE 1SS362-TE85L			
425		A1	DIODE		D160	8-719-024-71	DIODE 1SS362-TE85L			
426		A1	DIODE		D170	8-719-024-71	DIODE 1SS362-TE85L			
427		A1	DIODE		D180	8-719-024-71	DIODE 1SS362-TE85L			
428		A1	DIODE		D190	8-719-800-76	DIODE 1SS226			
429		A1	DIODE		D191	8-719-800-76	DIODE 1SS226			
430		A1	DIODE		D301	8-719-073-39	DIODE HZU5.6GTRF			
431		A1	DIODE		D302	8-719-073-39	DIODE HZU5.6GTRF			
432		A1	DIODE		D303	8-719-073-39	DIODE HZU5.6GTRF			
433		A1	DIODE		D304	8-719-073-39	DIODE HZU5.6GTRF			
434		A1	DIODE		D306	8-719-024-77	DIODE HN1D03FU-TE85L			

No.	#	Board	Type	△/*	Ref.No.	Part No.	Descrption	Remarks-1	Remarks-2	Difference
435		A1	DIODE		D307	8-719-024-77	DIODE HN1D03FU-TE85L			
436		A1	DIODE		D308	8-719-024-77	DIODE HN1D03FU-TE85L			
437		A1	DIODE		D309	8-719-024-77	DIODE HN1D03FU-TE85L			
438		A1	DIODE		D310	8-719-801-78	DIODE 1SS184			
439		A1	DIODE		D401	8-719-914-43	DIODE DAN202K			
440		A1	DIODE		D402	8-719-914-43	DIODE DAN202K			
441		A1	DIODE		D601	8-719-078-02	DIODE 1SS357(T3SONY1)			
442		A1	DIODE		D602	8-719-078-02	DIODE 1SS357(T3SONY1)			
443		A1	DIODE		D603	8-719-073-92	DIODE RB060L-40TE25			
444		A1	DIODE		D604	8-719-073-92	DIODE RB060L-40TE25			
445		A1	DIODE		D606	8-719-073-39	DIODE HZU5.6GTRF			
446		A1	DIODE		D701	8-719-067-48	DIODE HZU3.6B2TRF			
447		A1	DIODE		D702	8-719-024-77	DIODE HN1D03FU-TE85L			
448		A1	DIODE		D703	8-719-404-50	DIODE MA111-TX			
449		A1	DIODE		D704	8-719-073-39	DIODE HZU5.6GTRF			
450		A1	DIODE		D705	8-719-073-39	DIODE HZU5.6GTRF			
451		A1	FUSE	△	F601	1-533-952-21	"FUSE, CHIP"			
452		A1	FUSE	△	F602	1-576-410-21	"FUSE, CHIP"			
453		A1	FUSE	△	F603	1-533-952-21	"FUSE, CHIP"			
454		A1	FUSE	△	F701	1-533-952-21	"FUSE, CHIP"			
455		A1	FERRITE BEAD		FB1	1-414-760-21	FERRITE 0UH			
456		A1	FERRITE BEAD		FB2	1-414-760-21	FERRITE 0UH			
457		A1	FERRITE BEAD		FB3	1-414-760-21	FERRITE 0UH			
458		A1	FERRITE BEAD		FB4	1-414-760-21	FERRITE 0UH			
459		A1	FERRITE BEAD		FB5	1-414-235-22	FERRITE 0UH			
460		A1	FERRITE BEAD		FB6	1-414-760-21	FERRITE 0UH			
461		A1	FERRITE BEAD		FB7	1-414-760-21	FERRITE 0UH			
462		A1	FERRITE BEAD		FB8	1-414-760-21	FERRITE 0UH			
463		A1	FERRITE BEAD		FB9	1-414-760-21	FERRITE 0UH			
464		A1	FERRITE BEAD		FB10	1-414-760-21	FERRITE 0UH			
465		A1	FERRITE BEAD		FB100	1-414-760-21	FERRITE 0UH			

No.	#	Board	Type	△/*	Ref.No.	Part No.	Description	Remarks-1	Remarks-2	Difference
466		A1	FERRITE BEAD		FB101	1-400-141-22	INDUCTOR 0UH			
467		A1	FERRITE BEAD		FB102	1-414-921-11	FERRITE 0UH			
468		A1	FERRITE BEAD		FB130	1-469-100-21	FERRITE 0UH			
469		A1	FERRITE BEAD		FB140	1-469-100-21	FERRITE 0UH			
470		A1	FERRITE BEAD		FB150	1-469-100-21	FERRITE 0UH			
471		A1	FERRITE BEAD		FB160	1-469-100-21	FERRITE 0UH			
472		A1	FERRITE BEAD		FB170	1-469-100-21	FERRITE 0UH			
473		A1	FERRITE BEAD		FB180	1-469-100-21	FERRITE 0UH			
474		A1	FERRITE BEAD		FB301	1-400-141-22	INDUCTOR 0UH			
475		A1	FERRITE BEAD		FB302	1-400-141-22	INDUCTOR 0UH			
476		A1	FERRITE BEAD		FB303	1-400-141-22	INDUCTOR 0UH			
477		A1	FERRITE BEAD		FB304	1-414-921-11	FERRITE 0UH			
478		A1	FERRITE BEAD		FB305	1-414-921-11	FERRITE 0UH			
479		A1	FERRITE BEAD		FB306	1-414-921-11	FERRITE 0UH			
480		A1	FERRITE BEAD		FB401	1-414-760-21	FERRITE 0UH			
481		A1	FERRITE BEAD		FB402	1-414-760-21	FERRITE 0UH			
482		A1	FERRITE BEAD		FB403	1-234-177-21	FERRITE 0UH			
483		A1	FERRITE BEAD		FB405	1-400-141-22	INDUCTOR 0UH			
484		A1	FERRITE BEAD		FB406	1-400-141-22	INDUCTOR 0UH			
485		A1	FERRITE BEAD		FB407	1-414-921-11	FERRITE 0UH			
486		A1	FERRITE BEAD		FB408	1-414-921-11	FERRITE 0UH			
487		A1	FERRITE BEAD		FB411	1-414-921-11	FERRITE 0UH			
488		A1	FERRITE BEAD		FB414	1-414-921-11	FERRITE 0UH			
489		A1	FERRITE BEAD		FB415	1-414-921-11	FERRITE 0UH			
490		A1	FERRITE BEAD		FB416	1-400-141-22	INDUCTOR 0UH			
491		A1	FERRITE BEAD		FB600	1-414-760-21	FERRITE 0UH			
492		A1	FERRITE BEAD		FB601	1-400-141-22	INDUCTOR 0UH			
493		A1	FERRITE BEAD		FB602	1-400-141-22	INDUCTOR 0UH			
494		A1	FERRITE BEAD		FB603	1-400-141-22	INDUCTOR 0UH			
495		A1	FERRITE BEAD		FB604	1-400-141-22	INDUCTOR 0UH			
496		A1	FERRITE BEAD		FB701	1-414-921-11	FERRITE 0UH			

No.	#	Board	Type	△/*	Ref.No.	Part No.	Description	Remarks-1	Remarks-2	Difference
497		A1	FERRITE BEAD		FB702	1-400-141-22	INDUCTOR 0UH			
498		A1	FERRITE BEAD		FB703	1-414-921-11	FERRITE 0UH			
499		A1	FERRITE BEAD		FB704	1-400-141-22	INDUCTOR 0UH			
500		A1	FERRITE BEAD		FB705	1-400-141-22	INDUCTOR 0UH			
501		A1	FERRITE BEAD		FB801	1-414-921-11	FERRITE 0UH			
502		A1	FERRITE BEAD		FB802	1-414-921-11	FERRITE 0UH			
503		A1	FERRITE BEAD		FB803	1-414-921-11	FERRITE 0UH			
504		A1	FERRITE BEAD		FB804	1-414-921-11	FERRITE 0UH			
505		A1	FERRITE BEAD		FB8010	1-400-141-22	INDUCTOR 0UH			
506		A1	FERRITE BEAD		FB8011	1-400-141-22	INDUCTOR 0UH			
507		A1	FILTER		FL301	1-234-177-21	FERRITE 0UH			
508		A1	FILTER		FL302	1-234-177-21	FERRITE 0UH			
509		A1	FILTER		FL303	1-234-177-21	FERRITE 0UH			
510		A1	FILTER		FL401	1-234-177-21	FERRITE 0UH			
511		A1	FILTER		FL402	1-234-177-21	FERRITE 0UH			
512		A1	FILTER		FL403	1-234-177-21	FERRITE 0UH			
513		A1	FILTER		FL404	1-234-177-21	FERRITE 0UH			
514		A1	FILTER		FL601	1-239-899-21	FERRITE 0UH			
515		A1	FILTER		FL602	1-239-899-21	FERRITE 0UH			
516		A1	FILTER		FL604	1-239-899-21	FERRITE 0UH			
517		A1	FILTER		FL605	1-239-899-21	FERRITE 0UH			
518		A1	FILTER		FL606	1-239-899-21	FERRITE 0UH			
519		A1	FILTER		FL607	1-239-899-21	FERRITE 0UH			
520		A1	FILTER		FL608	1-239-899-21	FERRITE 0UH			
521		A1	FILTER		FL610	1-239-899-21	FERRITE 0UH			
522		A1	FILTER		FL611	1-239-899-21	FERRITE 0UH			
523		A1	FILTER		FL701	1-234-498-21	FERRITE 0UH			
524		A1	IC		IC1	8-759-475-13	IC TC74LCX14F(EL)			
525		A1	IC		IC2	6-700-915-01	IC SN74AHCT04PWR			
526		A1	IC		IC3	8-759-475-33	IC TC74LCX00FT(EL)			
527		A1	IC		IC4	8-759-688-12	IC TC74VHCT125AFT(EL)			

No.	#	Board	Type	△/*	Ref.No.	Part No.	Description	Remarks-1	Remarks-2	Difference
528		A1	IC		IC5	8-759-688-12	IC TC74VHCT125AFT(EL)			
529		A1	IC		IC6	8-759-524-04	IC TC74VHC125FT(EL)			
530		A1	IC		IC7	8-759-523-96	IC TC74VHC86FT(EL)			
531		A1	IC		IC8	8-759-239-55	IC TC74HC123AF			
532		A1	IC		IC9	8-759-082-57	IC TC7W04FU			
533		A1	IC		IC10	8-759-584-88	IC BA7078AF-E2			
534		A1	IC		IC11	8-759-475-43	IC TC74LCX125FT(EL)			
535		A1	IC		IC12	8-759-475-43	IC TC74LCX125FT(EL)			
536		A1	IC		IC13	8-759-475-47	IC TC74LCX244FT(EL)			
537		A1	IC		IC14	8-759-531-92	IC TC7WH04FU(TE12R)			
538		A1	IC		IC15	8-759-239-55	IC TC74HC123AF			
539		A1	IC		IC100	6-702-816-01	IC AD9888KS-170			
540		A1	IC		IC101	6-702-832-11	IC BU9882F-WE2			
541		A1	IC		IC301	6-702-832-11	IC BU9882F-WE2			
542		A1	IC		IC303	6-700-133-02	IC TFP403PZP			
543		A1	IC		IC401	0-759-984-00	IC EPIK30FC256-2			
544		A1	IC		IC403	6-802-443-01	IC MBM29LV800TA-70PFTN-SV3623B			
545		A1	IC		IC404	8-759-827-26	IC PW171-20U			
546		A1	IC		IC406	6-701-145-01	IC MC74LVX00DTR2			
547		A1	IC		IC407	8-759-472-14	IC 74VHC125MTCX			
548		A1	IC		IC408	8-759-568-85	IC S-80821ANNP-EDJ-T2			
549		A1	IC		IC409	8-759-544-01	IC S-80828ANNP-EDR-T2			
550		A1	IC		IC600	6-702-315-01	IC TK11233CMCL			
551		A1	IC		IC601	8-759-521-89	IC PQ20WZ5U			
552		A1	IC		IC602	6-702-510-01	IC TPS5120DBTR			
553		A1	IC		IC604	8-749-015-18	IC PQ07VZ012ZP			
554		A1	IC		IC605	8-759-579-31	IC PQ20WZ1U			
555		A1	IC		IC606	6-702-315-01	IC TK11233CMCL			
556		A1	IC		IC607	6-702-830-11	IC TK71733SCL-TP			
557		A1	IC		IC701	8-759-669-50	IC SN74CBTD3306PWR-12			
558		A1	IC		IC702	8-759-472-14	IC 74VHC125MTCX			

No.	#	Board	Type	△/*	Ref.No.	Part No.	Description	Remarks-1	Remarks-2	Difference
559		A1	IC		IC703	6-702-624-01	IC HD64F2377VFQ33V			
560		A1	IC		IC704	8-759-593-23	IC S-80928ANMP-DDR-T2			
561		A1	IC		IC705	8-759-684-72	IC M24C64-WMN6T(A)			
562		A1	IC		IC706	8-759-592-49	IC TC7SZ125FU(TE85R)			
563		A1	IC		IC707	8-759-669-50	IC SN74CBTD3306PWR-12			
564		A1	IC		IC801	6-702-814-01	IC SII160CT100			
565		A1	COIL		L401	1-409-527-41	INDUCTOR 4.7UH			
566		A1	COIL		L601	1-414-617-11	INDUCTOR 10UH			
567		A1	COIL		L602	1-414-617-11	INDUCTOR 10UH			
568		A1	COIL		L603	1-409-527-41	INDUCTOR 4.7UH			
569		A1	IC LINK	△	PS100	1-576-122-21	"LINK, IC"			
570		A1	IC LINK	△	PS101	1-576-122-21	"LINK, IC"			
571		A1	IC LINK	△	PS301	1-576-122-21	"LINK, IC"			
572		A1	TRANSISTOR		Q1	8-729-026-57	TRANSISTOR FMS1A-T148			
573		A1	TRANSISTOR		Q2	8-729-055-85	TRANSISTOR UMT1N-TN			
574		A1	TRANSISTOR		Q3	8-729-035-74	TRANSISTOR FMG4AT148			
575		A1	TRANSISTOR		Q4	8-729-112-65	TRANSISTOR 2SA1462-Y33			
576		A1	TRANSISTOR		Q5	8-729-112-65	TRANSISTOR 2SA1462-Y33			
577		A1	TRANSISTOR		Q6	8-729-230-49	TRANSISTOR 2SC2712-YG			
578		A1	TRANSISTOR		Q7	8-729-029-14	TRANSISTOR DTC144EUA-T106			
579		A1	TRANSISTOR		Q401	8-729-140-63	TRANSISTOR 2SA1611-M5M6			
580		A1	TRANSISTOR		Q402	8-729-230-49	TRANSISTOR 2SC2712-YG			
581		A1	TRANSISTOR		Q403	8-729-028-73	TRANSISTOR DTA114EUA-T106			
582		A1	TRANSISTOR		Q601	8-729-052-07	TRANSISTOR HAT2064R-EL			
583		A1	TRANSISTOR		Q602	8-729-052-07	TRANSISTOR HAT2064R-EL			
584		A1	TRANSISTOR		Q603	8-729-052-07	TRANSISTOR HAT2064R-EL			
585		A1	TRANSISTOR		Q604	8-729-052-07	TRANSISTOR HAT2064R-EL			
586		A1	TRANSISTOR		Q609	8-729-907-00	TRANSISTOR DTC114EU			
587		A1	TRANSISTOR		Q610	8-729-054-36	TRANSISTOR UPA1716G-E2			
588		A1	TRANSISTOR		Q702	8-729-907-00	TRANSISTOR DTC114EU			
589		A1	TRANSISTOR		Q706	8-729-907-00	TRANSISTOR DTC114EU			

No.	#	Board	Type	△/*	Ref.No.	Part No.	Description	Remarks-1	Remarks-2	Difference
590		A1	TRANSISTOR		Q708	8-729-907-00	TRANSISTOR DTC114EU			
591		A1	TRANSISTOR		Q709	8-729-013-28	TRANSISTOR HN1B01FU-TE85R			
592		A1	TRANSISTOR		Q712	8-729-029-14	TRANSISTOR DTC144EUA-T106			
593		A1	TRANSISTOR		Q713	8-729-029-14	TRANSISTOR DTC144EUA-T106			
594		A1	RESISTOR		R1	1-216-809-11	METAL CHIP 100 5% 1/10W			
595		A1	RESISTOR		R2	1-216-809-11	METAL CHIP 100 5% 1/10W			
596		A1	RESISTOR		R3	1-216-809-11	METAL CHIP 100 5% 1/10W			
597		A1	RESISTOR		R4	1-216-809-11	METAL CHIP 100 5% 1/10W			
598		A1	RESISTOR		R5	1-216-809-11	METAL CHIP 100 5% 1/10W			
599		A1	RESISTOR		R6	1-216-809-11	METAL CHIP 100 5% 1/10W			
600		A1	RESISTOR		R7	1-216-809-11	METAL CHIP 100 5% 1/10W			
601		A1	RESISTOR		R8	1-216-809-11	METAL CHIP 100 5% 1/10W			
602		A1	RESISTOR		R9	1-216-805-11	METAL CHIP 47 5% 1/10W			
603		A1	RESISTOR		R10	1-216-805-11	METAL CHIP 47 5% 1/10W			
604		A1	RESISTOR		R11	1-216-805-11	METAL CHIP 47 5% 1/10W			
605		A1	RESISTOR		R12	1-216-805-11	METAL CHIP 47 5% 1/10W			
606		A1	RESISTOR		R13	1-216-805-11	METAL CHIP 47 5% 1/10W			
607		A1	RESISTOR		R14	1-216-805-11	METAL CHIP 47 5% 1/10W			
608		A1	RESISTOR		R15	1-216-805-11	METAL CHIP 47 5% 1/10W			
609		A1	RESISTOR		R16	1-216-805-11	METAL CHIP 47 5% 1/10W			
610		A1	RESISTOR		R17	1-216-805-11	METAL CHIP 47 5% 1/10W			
611		A1	RESISTOR		R18	1-216-805-11	METAL CHIP 47 5% 1/10W			
612		A1	RESISTOR		R19	1-216-805-11	METAL CHIP 47 5% 1/10W			
613		A1	RESISTOR		R20	1-216-805-11	METAL CHIP 47 5% 1/10W			
614		A1	RESISTOR		R21	1-216-805-11	METAL CHIP 47 5% 1/10W			
615		A1	RESISTOR		R22	1-216-805-11	METAL CHIP 47 5% 1/10W			
616		A1	RESISTOR		R23	1-216-809-11	METAL CHIP 100 5% 1/10W			
617		A1	RESISTOR		R24	1-216-805-11	METAL CHIP 47 5% 1/10W			
618		A1	RESISTOR		R25	1-216-809-11	METAL CHIP 100 5% 1/10W			
619		A1	RESISTOR		R26	1-216-805-11	METAL CHIP 47 5% 1/10W			
620		A1	RESISTOR		R27	1-216-809-11	METAL CHIP 100 5% 1/10W			

No.	#	Board	Type	△/*	Ref.No.	Part No.	Descrption	Remarks-1	Remarks-2	Difference
621		A1	RESISTOR		R28	1-216-809-11	METAL CHIP 100 5% 1/10W			
622		A1	RESISTOR		R29	1-216-809-11	METAL CHIP 100 5% 1/10W			
623		A1	RESISTOR		R30	1-216-809-11	METAL CHIP 100 5% 1/10W			
624		A1	RESISTOR		R31	1-216-821-11	METAL CHIP 1K 5% 1/10W			
625		A1	RESISTOR		R32	1-216-821-11	METAL CHIP 1K 5% 1/10W			
626		A1	RESISTOR		R33	1-216-837-11	METAL CHIP 22K 5% 1/10W			
627		A1	RESISTOR		R34	1-216-841-11	METAL CHIP 47K 5% 1/10W			
628		A1	RESISTOR		R35	1-216-841-11	METAL CHIP 47K 5% 1/10W			
629		A1	RESISTOR		R36	1-216-853-11	METAL CHIP 470K 5% 1/10W			
630		A1	RESISTOR		R37	1-216-837-11	METAL CHIP 22K 5% 1/10W			
631		A1	RESISTOR		R38	1-216-841-11	METAL CHIP 47K 5% 1/10W			
632		A1	RESISTOR		R39	1-216-841-11	METAL CHIP 47K 5% 1/10W			
633		A1	RESISTOR		R40	1-216-853-11	METAL CHIP 470K 5% 1/10W			
634		A1	RESISTOR		R41	1-216-829-11	METAL CHIP 4.7K 5% 1/10W			
635		A1	RESISTOR		R42	1-216-829-11	METAL CHIP 4.7K 5% 1/10W			
636		A1	RESISTOR		R43	1-216-829-11	METAL CHIP 4.7K 5% 1/10W			
637		A1	RESISTOR		R44	1-216-829-11	METAL CHIP 4.7K 5% 1/10W			
638		A1	RESISTOR		R45	1-216-829-11	METAL CHIP 4.7K 5% 1/10W			
639		A1	RESISTOR		R46	1-216-849-11	METAL CHIP 220K 5% 1/10W			
640		A1	RESISTOR		R47	1-216-849-11	METAL CHIP 220K 5% 1/10W			
641		A1	RESISTOR		R48	1-216-849-11	METAL CHIP 220K 5% 1/10W			
642		A1	RESISTOR		R49	1-216-849-11	METAL CHIP 220K 5% 1/10W			
643		A1	RESISTOR		R52	1-216-833-11	METAL CHIP 10K 5% 1/10W			
644		A1	RESISTOR		R53	1-216-829-11	METAL CHIP 4.7K 5% 1/10W			
645		A1	RESISTOR		R54	1-216-833-11	METAL CHIP 10K 5% 1/10W			
646		A1	RESISTOR		R55	1-216-833-11	METAL CHIP 10K 5% 1/10W			
647		A1	RESISTOR		R56	1-216-825-11	METAL CHIP 2.2K 5% 1/10W			
648		A1	RESISTOR		R57	1-216-833-11	METAL CHIP 10K 5% 1/10W			
649		A1	RESISTOR		R58	1-216-833-11	METAL CHIP 10K 5% 1/10W			
650		A1	RESISTOR		R59	1-216-853-11	METAL CHIP 470K 5% 1/10W			
651		A1	RESISTOR		R60	1-216-849-11	METAL CHIP 220K 5% 1/10W			

No.	#	Board	Type	△/*	Ref.No.	Part No.	Description	Remarks-1	Remarks-2	Difference
652		A1	RESISTOR		R61	1-216-864-11	SHORT CHIP 0			
653		A1	RESISTOR		R62	1-216-833-11	METAL CHIP 10K 5% 1/10W			
654		A1	RESISTOR		R63	1-216-857-11	METAL CHIP 1M 5% 1/10W			
655		A1	RESISTOR		R64	1-216-833-11	METAL CHIP 10K 5% 1/10W			
656		A1	RESISTOR		R65	1-216-833-11	METAL CHIP 10K 5% 1/10W			
657		A1	RESISTOR		R66	1-216-853-11	METAL CHIP 470K 5% 1/10W			
658		A1	RESISTOR		R67	1-216-849-11	METAL CHIP 220K 5% 1/10W			
659		A1	RESISTOR		R70	1-216-805-11	METAL CHIP 47 5% 1/10W			
660		A1	RESISTOR		R71	1-216-864-11	SHORT CHIP 0			
661		A1	RESISTOR		R73	1-216-805-11	METAL CHIP 47 5% 1/10W			
662		A1	RESISTOR		R74	1-216-805-11	METAL CHIP 47 5% 1/10W			
663		A1	RESISTOR		R75	1-216-828-11	METAL CHIP 3.9K 5% 1/10W			
664		A1	RESISTOR		R76	1-216-809-11	METAL CHIP 100 5% 1/10W			
665		A1	RESISTOR		R77	1-216-809-11	METAL CHIP 100 5% 1/10W			
666		A1	RESISTOR		R78	1-216-809-11	METAL CHIP 100 5% 1/10W			
667		A1	RESISTOR		R79	1-216-809-11	METAL CHIP 100 5% 1/10W			
668		A1	RESISTOR		R80	1-216-821-11	METAL CHIP 1K 5% 1/10W			
669		A1	RESISTOR		R81	1-216-828-11	METAL CHIP 3.9K 5% 1/10W			
670		A1	RESISTOR		R84	1-216-805-11	METAL CHIP 47 5% 1/10W			
671		A1	RESISTOR		R85	1-216-805-11	METAL CHIP 47 5% 1/10W			
672		A1	RESISTOR		R86	1-216-864-11	SHORT CHIP 0			
673		A1	RESISTOR		R87	1-216-864-11	SHORT CHIP 0			
674		A1	RESISTOR		R88	1-216-805-11	METAL CHIP 47 5% 1/10W			
675		A1	RESISTOR		R89	1-216-805-11	METAL CHIP 47 5% 1/10W			
676		A1	RESISTOR		R91	1-216-864-11	SHORT CHIP 0			
677		A1	RESISTOR		R92	1-216-809-11	METAL CHIP 100 5% 1/10W			
678		A1	RESISTOR		R93	1-216-809-11	METAL CHIP 100 5% 1/10W			
679		A1	RESISTOR		R94	1-216-809-11	METAL CHIP 100 5% 1/10W			
680		A1	RESISTOR		R95	1-216-809-11	METAL CHIP 100 5% 1/10W			
681		A1	RESISTOR		R96	1-216-864-11	SHORT CHIP 0			
682		A1	RESISTOR		R97	1-216-833-11	METAL CHIP 10K 5% 1/10W			

No.	#	Board	Type	△/*	Ref.No.	Part No.	Description	Remarks-1	Remarks-2	Difference
683		A1	RESISTOR		R98	1-216-833-11	METAL CHIP 10K 5% 1/10W			
684		A1	RESISTOR		R99	1-216-864-11	SHORT CHIP 0			
685		A1	RESISTOR		R100	1-216-805-11	METAL CHIP 47 5% 1/10W			
686		A1	RESISTOR		R101	1-216-805-11	METAL CHIP 47 5% 1/10W			
687		A1	RESISTOR		R102	1-216-841-11	METAL CHIP 47K 5% 1/10W			
688		A1	RESISTOR		R103	1-216-833-11	METAL CHIP 10K 5% 1/10W			
689		A1	RESISTOR		R104	1-216-833-11	METAL CHIP 10K 5% 1/10W			
690		A1	RESISTOR		R105	1-216-805-11	METAL CHIP 47 5% 1/10W			
691		A1	RESISTOR		R106	1-216-805-11	METAL CHIP 47 5% 1/10W			
692		A1	RESISTOR		R107	1-216-833-11	METAL CHIP 10K 5% 1/10W			
693		A1	RESISTOR		R108	1-216-833-11	METAL CHIP 10K 5% 1/10W			
694		A1	RESISTOR		R109	1-216-833-11	METAL CHIP 10K 5% 1/10W			
695		A1	RESISTOR		R110	1-216-805-11	METAL CHIP 47 5% 1/10W			
696		A1	RESISTOR		R111	1-216-805-11	METAL CHIP 47 5% 1/10W			
697		A1	RESISTOR		R112	1-216-805-11	METAL CHIP 47 5% 1/10W			
698		A1	RESISTOR		R113	1-216-805-11	METAL CHIP 47 5% 1/10W			
699		A1	RESISTOR		R115	1-216-837-11	METAL CHIP 22K 5% 1/10W			
700		A1	RESISTOR		R116	1-216-837-11	METAL CHIP 22K 5% 1/10W			
701		A1	RESISTOR		R117	1-216-805-11	METAL CHIP 47 5% 1/10W			
702		A1	RESISTOR		R118	1-216-821-11	METAL CHIP 1K 5% 1/10W			
703		A1	RESISTOR		R119	1-216-821-11	METAL CHIP 1K 5% 1/10W			
704		A1	RESISTOR		R120	1-216-821-11	METAL CHIP 1K 5% 1/10W			
705		A1	RESISTOR		R121	1-216-821-11	METAL CHIP 1K 5% 1/10W			
706		A1	RESISTOR		R122	1-216-821-11	METAL CHIP 1K 5% 1/10W			
707		A1	RESISTOR		R123	1-216-805-11	METAL CHIP 47 5% 1/10W			
708		A1	RESISTOR		R124	1-216-821-11	METAL CHIP 1K 5% 1/10W			
709		A1	RESISTOR		R125	1-216-801-11	METAL CHIP 22 5% 1/10W			
710		A1	RESISTOR		R126	1-216-864-11	SHORT CHIP 0			
711		A1	RESISTOR		R127	1-216-805-11	METAL CHIP 47 5% 1/10W			
712		A1	RESISTOR		R129	1-216-864-11	SHORT CHIP 0			
713		A1	RESISTOR		R131	1-211-990-11	METAL CHIP 75 0.5% 1/10W			

No.	#	Board	Type	△/*	Ref.No.	Part No.	Description	Remarks-1	Remarks-2	Difference
714		A1	RESISTOR		R132	1-216-805-11	METAL CHIP 47 5% 1/10W			
715		A1	RESISTOR		R139	1-216-841-11	METAL CHIP 47K 5% 1/10W			
716		A1	RESISTOR		R141	1-211-990-11	METAL CHIP 75 0.5% 1/10W			
717		A1	RESISTOR		R142	1-216-805-11	METAL CHIP 47 5% 1/10W			
718		A1	RESISTOR		R151	1-211-990-11	METAL CHIP 75 0.5% 1/10W			
719		A1	RESISTOR		R152	1-216-805-11	METAL CHIP 47 5% 1/10W			
720		A1	RESISTOR		R161	1-218-665-11	METAL CHIP 75 0.5% 1/16W			
721		A1	RESISTOR		R162	1-216-805-11	METAL CHIP 47 5% 1/10W			
722		A1	RESISTOR		R171	1-211-990-11	METAL CHIP 75 0.5% 1/10W			
723		A1	RESISTOR		R172	1-216-805-11	METAL CHIP 47 5% 1/10W			
724		A1	RESISTOR		R181	1-218-665-11	METAL CHIP 75 0.5% 1/16W			
725		A1	RESISTOR		R182	1-216-805-11	METAL CHIP 47 5% 1/10W			
726		A1	RESISTOR		R189	1-216-805-11	METAL CHIP 47 5% 1/10W			
727		A1	RESISTOR		R190	1-216-805-11	METAL CHIP 47 5% 1/10W			
728		A1	RESISTOR		R191	1-216-805-11	METAL CHIP 47 5% 1/10W			
729		A1	RESISTOR		R192	1-216-825-11	METAL CHIP 2.2K 5% 1/10W			
730		A1	RESISTOR		R193	1-216-825-11	METAL CHIP 2.2K 5% 1/10W			
731		A1	RESISTOR		R194	1-216-805-11	METAL CHIP 47 5% 1/10W			
732		A1	RESISTOR		R195	1-216-805-11	METAL CHIP 47 5% 1/10W			
733		A1	RESISTOR		R196	1-216-825-11	METAL CHIP 2.2K 5% 1/10W			
734		A1	RESISTOR		R197	1-216-825-11	METAL CHIP 2.2K 5% 1/10W			
735		A1	RESISTOR		R198	1-216-827-11	METAL CHIP 3.3K 5% 1/10W			
736		A1	RESISTOR		R199	1-216-833-11	METAL CHIP 10K 5% 1/10W			
737		A1	RESISTOR		R301	1-216-805-11	METAL CHIP 47 5% 1/10W			
738		A1	RESISTOR		R302	1-216-833-11	METAL CHIP 10K 5% 1/10W			
739		A1	RESISTOR		R303	1-216-805-11	METAL CHIP 47 5% 1/10W			
740		A1	RESISTOR		R304	1-216-841-11	METAL CHIP 47K 5% 1/10W			
741		A1	RESISTOR		R309	1-216-864-11	SHORT CHIP 0			
742		A1	RESISTOR		R311	1-216-864-11	SHORT CHIP 0			
743		A1	RESISTOR		R312	1-216-864-11	SHORT CHIP 0			
744		A1	RESISTOR		R313	1-216-864-11	SHORT CHIP 0			

No.	#	Board	Type	△/*	Ref.No.	Part No.	Description	Remarks-1	Remarks-2	Difference
745		A1	RESISTOR		R314	1-216-864-11	SHORT CHIP 0			
746		A1	RESISTOR		R315	1-216-864-11	SHORT CHIP 0			
747		A1	RESISTOR		R316	1-216-864-11	SHORT CHIP 0			
748		A1	RESISTOR		R317	1-216-864-11	SHORT CHIP 0			
749		A1	RESISTOR		R318	1-216-864-11	SHORT CHIP 0			
750		A1	RESISTOR		R319	1-216-805-11	METAL CHIP 47 5% 1/10W			
751		A1	RESISTOR		R320	1-216-805-11	METAL CHIP 47 5% 1/10W			
752		A1	RESISTOR		R322	1-216-833-11	METAL CHIP 10K 5% 1/10W			
753		A1	RESISTOR		R323	1-216-809-11	METAL CHIP 100 5% 1/10W			
754		A1	RESISTOR		R324	1-216-805-11	METAL CHIP 47 5% 1/10W			
755		A1	RESISTOR		R325	1-216-837-11	METAL CHIP 22K 5% 1/10W			
756		A1	RESISTOR		R326	1-216-837-11	METAL CHIP 22K 5% 1/10W			
757		A1	RESISTOR		R328	1-216-833-11	METAL CHIP 10K 5% 1/10W			
758		A1	RESISTOR		R329	1-216-833-11	METAL CHIP 10K 5% 1/10W			
759		A1	RESISTOR		R331	1-216-864-11	SHORT CHIP 0			
760		A1	RESISTOR		R332	1-216-833-11	METAL CHIP 10K 5% 1/10W			
761		A1	RESISTOR		R333	1-216-833-11	METAL CHIP 10K 5% 1/10W			
762		A1	RESISTOR		R334	1-216-864-11	SHORT CHIP 0			
763		A1	RESISTOR		R335	1-216-833-11	METAL CHIP 10K 5% 1/10W			
764		A1	RESISTOR		R336	1-216-864-11	SHORT CHIP 0			
765		A1	RESISTOR		R337	1-216-864-11	SHORT CHIP 0			
766		A1	RESISTOR		R338	1-216-864-11	SHORT CHIP 0			
767		A1	RESISTOR		R339	1-216-805-11	METAL CHIP 47 5% 1/10W			
768		A1	RESISTOR		R340	1-216-801-11	METAL CHIP 22 5% 1/10W			
769		A1	RESISTOR		R342	1-216-805-11	METAL CHIP 47 5% 1/10W			
770		A1	RESISTOR		R343	1-216-833-11	METAL CHIP 10K 5% 1/10W			
771		A1	RESISTOR		R344	1-216-833-11	METAL CHIP 10K 5% 1/10W			
772		A1	RESISTOR		R346	1-216-805-11	METAL CHIP 47 5% 1/10W			
773		A1	RESISTOR		R348	1-216-864-11	SHORT CHIP 0			
774		A1	RESISTOR		R350	1-216-845-11	METAL CHIP 100K 5% 1/10W			
775		A1	RESISTOR		R351	1-216-845-11	METAL CHIP 100K 5% 1/10W			

No.	#	Board	Type	△/*	Ref.No.	Part No.	Descrption	Remarks-1	Remarks-2	Difference
776		A1	RESISTOR		R352	1-216-845-11	METAL CHIP 100K 5% 1/10W			
777		A1	RESISTOR		R353	1-216-845-11	METAL CHIP 100K 5% 1/10W			
778		A1	RESISTOR		R354	1-216-845-11	METAL CHIP 100K 5% 1/10W			
779		A1	RESISTOR		R401	1-216-864-11	SHORT CHIP 0			
780		A1	RESISTOR		R402	1-216-805-11	METAL CHIP 47 5% 1/10W			
781		A1	RESISTOR		R403	1-216-821-11	METAL CHIP 1K 5% 1/10W			
782		A1	RESISTOR		R404	1-216-821-11	METAL CHIP 1K 5% 1/10W			
783		A1	RESISTOR		R405	1-216-821-11	METAL CHIP 1K 5% 1/10W			
784		A1	RESISTOR		R406	1-216-821-11	METAL CHIP 1K 5% 1/10W			
785		A1	RESISTOR		R407	1-216-821-11	METAL CHIP 1K 5% 1/10W			
786		A1	RESISTOR		R408	1-216-821-11	METAL CHIP 1K 5% 1/10W			
787		A1	RESISTOR		R409	1-216-821-11	METAL CHIP 1K 5% 1/10W			
788		A1	RESISTOR		R410	1-216-821-11	METAL CHIP 1K 5% 1/10W			
789		A1	RESISTOR		R411	1-218-704-11	METAL CHIP 3.3K 0.5% 1/16W			
790		A1	RESISTOR		R412	1-216-864-11	SHORT CHIP 0			
791		A1	RESISTOR		R413	1-216-864-11	SHORT CHIP 0			
792		A1	RESISTOR		R417	1-216-821-11	METAL CHIP 1K 5% 1/10W			
793		A1	RESISTOR		R418	1-216-833-11	METAL CHIP 10K 5% 1/10W			
794		A1	RESISTOR		R419	1-216-827-11	METAL CHIP 3.3K 5% 1/10W			
795		A1	RESISTOR		R420	1-216-827-11	METAL CHIP 3.3K 5% 1/10W			
796		A1	RESISTOR		R421	1-216-864-11	SHORT CHIP 0			
797		A1	RESISTOR		R422	1-216-809-11	METAL CHIP 100 5% 1/10W			
798		A1	RESISTOR		R423	1-216-809-11	METAL CHIP 100 5% 1/10W			
799		A1	RESISTOR		R426	1-216-829-11	METAL CHIP 4.7K 5% 1/10W			
800		A1	RESISTOR		R427	1-216-801-11	METAL CHIP 22 5% 1/10W			
801		A1	RESISTOR		R430	1-216-809-11	METAL CHIP 100 5% 1/10W			
802		A1	RESISTOR		R431	1-216-809-11	METAL CHIP 100 5% 1/10W			
803		A1	RESISTOR		R433	1-216-829-11	METAL CHIP 4.7K 5% 1/10W			
804		A1	RESISTOR		R435	1-216-829-11	METAL CHIP 4.7K 5% 1/10W			
805		A1	RESISTOR		R437	1-216-809-11	METAL CHIP 100 5% 1/10W			
806		A1	RESISTOR		R438	1-216-809-11	METAL CHIP 100 5% 1/10W			

No.	#	Board	Type	△/*	Ref.No.	Part No.	Description	Remarks-1	Remarks-2	Difference
807		A1	RESISTOR		R439	1-216-864-11	SHORT CHIP 0			
808		A1	RESISTOR		R440	1-216-864-11	SHORT CHIP 0			
809		A1	RESISTOR		R441	1-216-864-11	SHORT CHIP 0			
810		A1	RESISTOR		R442	1-216-864-11	SHORT CHIP 0			
811		A1	RESISTOR		R443	1-216-864-11	SHORT CHIP 0			
812		A1	RESISTOR		R444	1-216-864-11	SHORT CHIP 0			
813		A1	RESISTOR		R445	1-216-827-11	METAL CHIP 3.3K 5% 1/10W			
814		A1	RESISTOR		R446	1-216-827-11	METAL CHIP 3.3K 5% 1/10W			
815		A1	RESISTOR		R447	1-216-809-11	METAL CHIP 100 5% 1/10W			
816		A1	RESISTOR		R452	1-216-827-11	METAL CHIP 3.3K 5% 1/10W			
817		A1	RESISTOR		R453	1-216-864-11	SHORT CHIP 0			
818		A1	RESISTOR		R454	1-216-833-11	METAL CHIP 10K 5% 1/10W			
819		A1	RESISTOR		R455	1-216-829-11	METAL CHIP 4.7K 5% 1/10W			
820		A1	RESISTOR		R456	1-216-829-11	METAL CHIP 4.7K 5% 1/10W			
821		A1	RESISTOR		R460	1-216-829-11	METAL CHIP 4.7K 5% 1/10W			
822		A1	RESISTOR		R461	1-216-864-11	SHORT CHIP 0			
823		A1	RESISTOR		R462	1-216-829-11	METAL CHIP 4.7K 5% 1/10W			
824		A1	RESISTOR		R463	1-216-809-11	METAL CHIP 100 5% 1/10W			
825		A1	RESISTOR		R464	1-216-809-11	METAL CHIP 100 5% 1/10W			
826		A1	RESISTOR		R465	1-216-864-11	SHORT CHIP 0			
827		A1	RESISTOR		R466	1-216-864-11	SHORT CHIP 0			
828		A1	RESISTOR		R469	1-216-801-11	METAL CHIP 22 5% 1/10W			
829		A1	RESISTOR		R470	1-216-864-11	SHORT CHIP 0			
830		A1	RESISTOR		R471	1-216-833-11	METAL CHIP 10K 5% 1/10W			
831		A1	RESISTOR		R472	1-216-833-11	METAL CHIP 10K 5% 1/10W			
832		A1	RESISTOR		R473	1-216-809-11	METAL CHIP 100 5% 1/10W			
833		A1	RESISTOR		R474	1-216-864-11	SHORT CHIP 0			
834		A1	RESISTOR		R475	1-216-864-11	SHORT CHIP 0			
835		A1	RESISTOR		R476	1-216-833-11	METAL CHIP 10K 5% 1/10W			
836		A1	RESISTOR		R477	1-216-864-11	SHORT CHIP 0			
837		A1	RESISTOR		R479	1-216-809-11	METAL CHIP 100 5% 1/10W			

No.	#	Board	Type	△/*	Ref.No.	Part No.	Description	Remarks-1	Remarks-2	Difference
838		A1	RESISTOR		R480	1-216-809-11	METAL CHIP 100 5% 1/10W			
839		A1	RESISTOR		R481	1-216-809-11	METAL CHIP 100 5% 1/10W			
840		A1	RESISTOR		R482	1-216-839-11	METAL CHIP 33K 5% 1/10W			
841		A1	RESISTOR		R483	1-216-839-11	METAL CHIP 33K 5% 1/10W			
842		A1	RESISTOR		R484	1-216-809-11	METAL CHIP 100 5% 1/10W			
843		A1	RESISTOR		R485	1-216-809-11	METAL CHIP 100 5% 1/10W			
844		A1	RESISTOR		R486	1-216-809-11	METAL CHIP 100 5% 1/10W			
845		A1	RESISTOR		R487	1-216-809-11	METAL CHIP 100 5% 1/10W			
846		A1	RESISTOR		R488	1-216-833-11	METAL CHIP 10K 5% 1/10W			
847		A1	RESISTOR		R489	1-216-864-11	SHORT CHIP 0			
848		A1	RESISTOR		R600	1-216-864-11	SHORT CHIP 0			
849		A1	RESISTOR		R601	1-216-833-11	METAL CHIP 10K 5% 1/10W			
850		A1	RESISTOR		R603	1-218-714-11	METAL CHIP 8.2K 0.5% 1/16W			
851		A1	RESISTOR		R604	1-218-704-11	METAL CHIP 3.3K 0.5% 1/16W			
852		A1	RESISTOR		R605	1-216-833-11	METAL CHIP 10K 5% 1/10W			
853		A1	RESISTOR		R606	1-216-821-11	METAL CHIP 1K 5% 1/10W			
854		A1	RESISTOR		R610	1-216-845-11	METAL CHIP 100K 5% 1/10W			
855		A1	RESISTOR		R611	1-216-845-11	METAL CHIP 100K 5% 1/10W			
856		A1	RESISTOR		R612	1-216-845-11	METAL CHIP 100K 5% 1/10W			
857		A1	RESISTOR		R613	1-216-864-11	SHORT CHIP 0			
858		A1	RESISTOR		R614	1-216-864-11	SHORT CHIP 0			
859		A1	RESISTOR		R615	1-216-864-11	SHORT CHIP 0			
860		A1	RESISTOR		R616	1-218-344-11	METAL CHIP 7.5K 5% 1/10W			
861		A1	RESISTOR		R617	1-216-834-11	METAL CHIP 12K 5% 1/10W			
862		A1	RESISTOR		R618	1-218-344-11	METAL CHIP 7.5K 5% 1/10W			
863		A1	RESISTOR		R619	1-218-717-11	METAL CHIP 11K 0.5% 1/16W			
864		A1	RESISTOR		R620	1-202-926-11	METAL CHIP 36K 5% 1/10W			
865		A1	RESISTOR		R622	1-202-926-11	METAL CHIP 36K 5% 1/10W			
866		A1	RESISTOR		R623	1-216-793-11	METAL CHIP 4.7 5% 1/10W			
867		A1	RESISTOR		R624	1-216-793-11	METAL CHIP 4.7 5% 1/10W			
868		A1	RESISTOR		R625	1-218-272-11	METAL CHIP 5.1K 5% 1/10W			

No.	#	Board	Type	△/*	Ref.No.	Part No.	Description	Remarks-1	Remarks-2	Difference
869		A1	RESISTOR		R626	1-218-272-11	METAL CHIP 5.1K 5% 1/10W			
870		A1	RESISTOR		R632	1-216-864-11	SHORT CHIP 0			
871		A1	RESISTOR		R637	1-216-864-11	SHORT CHIP 0			
872		A1	RESISTOR		R639	1-218-699-11	METAL CHIP 2K 0.5% 1/16W			
873		A1	RESISTOR		R643	1-218-699-11	METAL CHIP 2K 0.5% 1/16W			
874		A1	RESISTOR		R646	1-216-864-11	SHORT CHIP 0			
875		A1	RESISTOR		R647	1-216-864-11	SHORT CHIP 0			
876		A1	RESISTOR		R650	1-216-864-11	SHORT CHIP 0			
877		A1	RESISTOR		R651	1-216-864-11	SHORT CHIP 0			
878		A1	RESISTOR		R652	1-216-845-11	METAL CHIP 100K 5% 1/10W			
879		A1	RESISTOR		R653	1-216-833-11	METAL CHIP 10K 5% 1/10W			
880		A1	RESISTOR		R655	1-218-692-11	METAL CHIP 1K 0.5% 1/16W			
881		A1	RESISTOR		R656	1-218-692-11	METAL CHIP 1K 0.5% 1/16W			
882		A1	RESISTOR		R657	1-218-699-11	METAL CHIP 2K 0.5% 1/16W			
883		A1	RESISTOR		R658	1-216-864-11	SHORT CHIP 0			
884		A1	RESISTOR		R659	1-216-864-11	SHORT CHIP 0			
885		A1	RESISTOR		R660	1-216-841-11	METAL CHIP 47K 5% 1/10W			
886		A1	RESISTOR		R664	1-216-605-11	METAL CHIP 12 0.5% 1/10W			
887		A1	RESISTOR		R665	1-216-605-11	METAL CHIP 12 0.5% 1/10W			
888		A1	RESISTOR		R666	1-216-605-11	METAL CHIP 12 0.5% 1/10W			
889		A1	RESISTOR		R667	1-216-864-11	SHORT CHIP 0			
890		A1	RESISTOR		R668	1-216-864-11	SHORT CHIP 0			
891		A1	RESISTOR		R669	1-216-864-11	SHORT CHIP 0			
892		A1	RESISTOR		R670	1-216-833-11	METAL CHIP 10K 5% 1/10W			
893		A1	RESISTOR		R702	1-216-864-11	SHORT CHIP 0			
894		A1	RESISTOR		R703	1-216-864-11	SHORT CHIP 0			
895		A1	RESISTOR		R704	1-216-864-11	SHORT CHIP 0			
896		A1	RESISTOR		R705	1-216-864-11	SHORT CHIP 0			
897		A1	RESISTOR		R706	1-216-864-11	SHORT CHIP 0			
898		A1	RESISTOR		R707	1-216-864-11	SHORT CHIP 0			
899		A1	RESISTOR		R708	1-216-864-11	SHORT CHIP 0			

No.	#	Board	Type	△/*	Ref.No.	Part No.	Description	Remarks-1	Remarks-2	Difference
900		A1	RESISTOR		R709	1-216-864-11	SHORT CHIP 0			
901		A1	RESISTOR		R710	1-216-809-11	METAL CHIP 100 5% 1/10W			
902		A1	RESISTOR		R711	1-216-809-11	METAL CHIP 100 5% 1/10W			
903		A1	RESISTOR		R712	1-216-841-11	METAL CHIP 47K 5% 1/10W			
904		A1	RESISTOR		R713	1-216-809-11	METAL CHIP 100 5% 1/10W			
905		A1	RESISTOR		R715	1-216-864-11	SHORT CHIP 0			
906		A1	RESISTOR		R718	1-216-864-11	SHORT CHIP 0			
907		A1	RESISTOR		R719	1-216-821-11	METAL CHIP 1K 5% 1/10W			
908		A1	RESISTOR		R722	1-216-864-11	SHORT CHIP 0			
909		A1	RESISTOR		R723	1-216-864-11	SHORT CHIP 0			
910		A1	RESISTOR		R727	1-216-864-11	SHORT CHIP 0			
911		A1	RESISTOR		R728	1-216-864-11	SHORT CHIP 0			
912		A1	RESISTOR		R729	1-216-864-11	SHORT CHIP 0			
913		A1	RESISTOR		R730	1-216-864-11	SHORT CHIP 0			
914		A1	RESISTOR		R732	1-216-864-11	SHORT CHIP 0			
915		A1	RESISTOR		R733	1-216-864-11	SHORT CHIP 0			
916		A1	RESISTOR		R735	1-216-809-11	METAL CHIP 100 5% 1/10W			
917		A1	RESISTOR		R736	1-216-837-11	METAL CHIP 22K 5% 1/10W			
918		A1	RESISTOR		R737	1-216-864-11	SHORT CHIP 0			
919		A1	RESISTOR		R738	1-216-864-11	SHORT CHIP 0			
920		A1	RESISTOR		R739	1-216-841-11	METAL CHIP 47K 5% 1/10W			
921		A1	RESISTOR		R741	1-216-864-11	SHORT CHIP 0			
922		A1	RESISTOR		R742	1-216-864-11	SHORT CHIP 0			
923		A1	RESISTOR		R743	1-216-864-11	SHORT CHIP 0			
924		A1	RESISTOR		R744	1-216-833-11	METAL CHIP 10K 5% 1/10W			
925		A1	RESISTOR		R745	1-216-833-11	METAL CHIP 10K 5% 1/10W			
926		A1	RESISTOR		R746	1-216-864-11	SHORT CHIP 0			
927		A1	RESISTOR		R747	1-216-864-11	SHORT CHIP 0			
928		A1	RESISTOR		R748	1-216-845-11	METAL CHIP 100K 5% 1/10W			
929		A1	RESISTOR		R749	1-216-841-11	METAL CHIP 47K 5% 1/10W			
930		A1	RESISTOR		R752	1-216-864-11	SHORT CHIP 0			

No.	#	Board	Type	△/*	Ref.No.	Part No.	Description	Remarks-1	Remarks-2	Difference
931		A1	RESISTOR		R753	1-216-833-11	METAL CHIP 10K 5% 1/10W			
932		A1	RESISTOR		R756	1-216-825-11	METAL CHIP 2.2K 5% 1/10W			
933		A1	RESISTOR		R757	1-216-864-11	SHORT CHIP 0			
934		A1	RESISTOR		R758	1-216-833-11	METAL CHIP 10K 5% 1/10W			
935		A1	RESISTOR		R759	1-216-825-11	METAL CHIP 2.2K 5% 1/10W			
936		A1	RESISTOR		R760	1-216-809-11	METAL CHIP 100 5% 1/10W			
937		A1	RESISTOR		R761	1-216-809-11	METAL CHIP 100 5% 1/10W			
938		A1	RESISTOR		R762	1-216-809-11	METAL CHIP 100 5% 1/10W			
939		A1	RESISTOR		R763	1-216-809-11	METAL CHIP 100 5% 1/10W			
940		A1	RESISTOR		R764	1-216-809-11	METAL CHIP 100 5% 1/10W			
941		A1	RESISTOR		R765	1-216-809-11	METAL CHIP 100 5% 1/10W			
942		A1	RESISTOR		R766	1-216-833-11	METAL CHIP 10K 5% 1/10W			
943		A1	RESISTOR		R767	1-216-864-11	SHORT CHIP 0			
944		A1	RESISTOR		R768	1-218-941-81	RES-CHIP 100 5% 1/16W			
945		A1	RESISTOR		R769	1-216-827-11	METAL CHIP 3.3K 5% 1/10W			
946		A1	RESISTOR		R770	1-216-864-11	SHORT CHIP 0			
947		A1	RESISTOR		R771	1-216-833-11	METAL CHIP 10K 5% 1/10W			
948		A1	RESISTOR		R772	1-216-833-11	METAL CHIP 10K 5% 1/10W			
949		A1	RESISTOR		R773	1-216-797-11	METAL CHIP 10 5% 1/10W			
950		A1	RESISTOR		R774	1-216-813-11	METAL CHIP 220 5% 1/10W			
951		A1	RESISTOR		R775	1-216-813-11	METAL CHIP 220 5% 1/10W			
952		A1	RESISTOR		R776	1-216-813-11	METAL CHIP 220 5% 1/10W			
953		A1	RESISTOR		R777	1-216-864-11	SHORT CHIP 0			
954		A1	RESISTOR		R778	1-216-841-11	METAL CHIP 47K 5% 1/10W			
955		A1	RESISTOR		R779	1-216-841-11	METAL CHIP 47K 5% 1/10W			
956		A1	RESISTOR		R780	1-216-864-11	SHORT CHIP 0			
957		A1	RESISTOR		R781	1-216-809-11	METAL CHIP 100 5% 1/10W			
958		A1	RESISTOR		R782	1-216-864-11	SHORT CHIP 0			
959		A1	RESISTOR		R783	1-216-841-11	METAL CHIP 47K 5% 1/10W			
960		A1	RESISTOR		R784	1-216-864-11	SHORT CHIP 0			
961		A1	RESISTOR		R785	1-216-833-11	METAL CHIP 10K 5% 1/10W			

No.	#	Board	Type	△/*	Ref.No.	Part No.	Description	Remarks-1	Remarks-2	Difference
962		A1	RESISTOR		R786	1-216-821-11	METAL CHIP 1K 5% 1/10W			
963		A1	RESISTOR		R787	1-216-833-11	METAL CHIP 10K 5% 1/10W			
964		A1	RESISTOR		R788	1-216-864-11	SHORT CHIP 0			
965		A1	RESISTOR		R789	1-216-827-11	METAL CHIP 3.3K 5% 1/10W			
966		A1	RESISTOR		R791	1-216-809-11	METAL CHIP 100 5% 1/10W			
967		A1	RESISTOR		R792	1-216-809-11	METAL CHIP 100 5% 1/10W			
968		A1	RESISTOR		R793	1-216-827-11	METAL CHIP 3.3K 5% 1/10W			
969		A1	RESISTOR		R794	1-216-864-11	SHORT CHIP 0			
970		A1	RESISTOR		R795	1-216-864-11	SHORT CHIP 0			
971		A1	RESISTOR		R796	1-216-833-11	METAL CHIP 10K 5% 1/10W			
972		A1	RESISTOR		R797	1-216-809-11	METAL CHIP 100 5% 1/10W			
973		A1	RESISTOR		R798	1-216-809-11	METAL CHIP 100 5% 1/10W			
974		A1	RESISTOR		R799	1-216-833-11	METAL CHIP 10K 5% 1/10W			
975		A1	RESISTOR		R801	1-216-864-11	SHORT CHIP 0			
976		A1	RESISTOR		R802	1-216-864-11	SHORT CHIP 0			
977		A1	RESISTOR		R803	1-216-864-11	SHORT CHIP 0			
978		A1	RESISTOR		R804	1-216-864-11	SHORT CHIP 0			
979		A1	RESISTOR		R805	1-216-864-11	SHORT CHIP 0			
980		A1	RESISTOR		R806	1-216-864-11	SHORT CHIP 0			
981		A1	RESISTOR		R807	1-216-864-11	SHORT CHIP 0			
982		A1	RESISTOR		R808	1-216-864-11	SHORT CHIP 0			
983		A1	RESISTOR		R809	1-216-864-11	SHORT CHIP 0			
984		A1	RESISTOR		R812	1-216-839-11	METAL CHIP 33K 5% 1/10W			
985		A1	RESISTOR		R813	1-216-839-11	METAL CHIP 33K 5% 1/10W			
986		A1	RESISTOR		R814	1-216-839-11	METAL CHIP 33K 5% 1/10W			
987		A1	RESISTOR		R815	1-218-289-11	METAL CHIP 510 5% 1/10W			
988		A1	RESISTOR		R817	1-216-839-11	METAL CHIP 33K 5% 1/10W			
989		A1	RESISTOR		R818	1-216-864-11	SHORT CHIP 0			
990		A1	RESISTOR		R820	1-216-839-11	METAL CHIP 33K 5% 1/10W			
991		A1	RESISTOR		R821	1-216-839-11	METAL CHIP 33K 5% 1/10W			
992		A1	RESISTOR		R822	1-216-864-11	SHORT CHIP 0			

No.	#	Board	Type	△/*	Ref.No.	Part No.	Description	Remarks-1	Remarks-2	Difference
993		A1	RESISTOR		R823	1-216-839-11	METAL CHIP 33K 5% 1/10W			
994		A1	RESISTOR		R824	1-216-839-11	METAL CHIP 33K 5% 1/10W			
995		A1	RESISTOR		R825	1-216-864-11	SHORT CHIP 0			
996		A1	RESISTOR		R826	1-216-864-11	SHORT CHIP 0			
997		A1	RESISTOR		R828	1-216-864-11	SHORT CHIP 0			
998		A1	RESISTOR		R829	1-216-864-11	SHORT CHIP 0			
999		A1	RESISTOR		R831	1-216-864-11	SHORT CHIP 0			
1000		A1	RESISTOR		R900	1-216-864-11	SHORT CHIP 0			
1001		A1	RESISTOR		R901	1-216-853-11	METAL CHIP 470K 5% 1/10W			
1002		A1	RESISTOR		R902	1-216-833-11	METAL CHIP 10K 5% 1/10W			
1003		A1	RESISTOR		R903	1-216-833-11	METAL CHIP 10K 5% 1/10W			
1004		A1	RESISTOR		R904	1-216-853-11	METAL CHIP 470K 5% 1/10W			
1005		A1	RESISTOR		R905	1-216-825-11	METAL CHIP 2.2K 5% 1/10W			
1006		A1	RESISTOR		R906	1-216-825-11	METAL CHIP 2.2K 5% 1/10W			
1007		A1	RESISTOR		R1901	1-216-833-11	METAL CHIP 10K 5% 1/10W			
1008		A1	RESISTOR		R1902	1-216-833-11	METAL CHIP 10K 5% 1/10W			
1009		A1	RESISTOR		R1903	1-216-833-11	METAL CHIP 10K 5% 1/10W			
1010		A1	RESISTOR		R1904	1-216-841-11	METAL CHIP 47K 5% 1/10W			
1011		A1	RESISTOR		R1906	1-216-833-11	METAL CHIP 10K 5% 1/10W			
1012		A1	RESISTOR		R1907	1-216-833-11	METAL CHIP 10K 5% 1/10W			
1013		A1	RESISTOR		R1908	1-216-864-11	SHORT CHIP 0			
1014		A1	RESISTOR		R1909	1-216-833-11	METAL CHIP 10K 5% 1/10W			
1015		A1	RESISTOR		R1910	1-216-864-11	SHORT CHIP 0			
1016		A1	RESISTOR		R1911	1-216-833-11	METAL CHIP 10K 5% 1/10W			
1017		A1	RESISTOR		R1912	1-216-833-11	METAL CHIP 10K 5% 1/10W			
1018		A1	RESISTOR		R1913	1-216-864-11	SHORT CHIP 0			
1019		A1	RESISTOR		R1914	1-216-833-11	METAL CHIP 10K 5% 1/10W			
1020		A1	NETWORK		RB100	1-239-621-11	NETWORK RESISTOR (CHIP) 22			
1021		A1	NETWORK		RB101	1-239-621-11	NETWORK RESISTOR (CHIP) 22			
1022		A1	NETWORK		RB102	1-239-621-11	NETWORK RESISTOR (CHIP) 22			
1023		A1	NETWORK		RB103	1-239-621-11	NETWORK RESISTOR (CHIP) 22			

No.	#	Board	Type	△/*	Ref.No.	Part No.	Descrption	Remarks-1	Remarks-2	Difference
1024		A1	NETWORK		RB104	1-239-621-11	NETWORK RESISTOR (CHIP) 22			
1025		A1	NETWORK		RB105	1-239-621-11	NETWORK RESISTOR (CHIP) 22			
1026		A1	NETWORK		RB106	1-239-621-11	NETWORK RESISTOR (CHIP) 22			
1027		A1	NETWORK		RB107	1-239-621-11	NETWORK RESISTOR (CHIP) 22			
1028		A1	NETWORK		RB108	1-239-621-11	NETWORK RESISTOR (CHIP) 22			
1029		A1	NETWORK		RB109	1-239-621-11	NETWORK RESISTOR (CHIP) 22			
1030		A1	NETWORK		RB110	1-239-621-11	NETWORK RESISTOR (CHIP) 22			
1031		A1	NETWORK		RB111	1-239-621-11	NETWORK RESISTOR (CHIP) 22			
1032		A1	NETWORK		RB301	1-239-409-11	NETWORK RESISTOR (CHIP) 47			
1033		A1	NETWORK		RB302	1-239-409-11	NETWORK RESISTOR (CHIP) 47			
1034		A1	NETWORK		RB303	1-239-409-11	NETWORK RESISTOR (CHIP) 47			
1035		A1	NETWORK		RB304	1-239-409-11	NETWORK RESISTOR (CHIP) 47			
1036		A1	NETWORK		RB305	1-239-409-11	NETWORK RESISTOR (CHIP) 47			
1037		A1	NETWORK		RB306	1-239-409-11	NETWORK RESISTOR (CHIP) 47			
1038		A1	NETWORK		RB307	1-239-409-11	NETWORK RESISTOR (CHIP) 47			
1039		A1	NETWORK		RB308	1-239-409-11	NETWORK RESISTOR (CHIP) 47			
1040		A1	NETWORK		RB309	1-239-409-11	NETWORK RESISTOR (CHIP) 47			
1041		A1	NETWORK		RB310	1-239-409-11	NETWORK RESISTOR (CHIP) 47			
1042		A1	NETWORK		RB311	1-239-409-11	NETWORK RESISTOR (CHIP) 47			
1043		A1	NETWORK		RB312	1-239-409-11	NETWORK RESISTOR (CHIP) 47			
1044		A1	NETWORK		RB401	1-239-409-11	NETWORK RESISTOR (CHIP) 47			
1045		A1	NETWORK		RB402	1-239-409-11	NETWORK RESISTOR (CHIP) 47			
1046		A1	NETWORK		RB403	1-239-409-11	NETWORK RESISTOR (CHIP) 47			
1047		A1	NETWORK		RB404	1-239-409-11	NETWORK RESISTOR (CHIP) 47			
1048		A1	NETWORK		RB405	1-239-409-11	NETWORK RESISTOR (CHIP) 47			
1049		A1	NETWORK		RB406	1-239-409-11	NETWORK RESISTOR (CHIP) 47			
1050		A1	NETWORK		RB407	1-239-409-11	NETWORK RESISTOR (CHIP) 47			
1051		A1	NETWORK		RB408	1-239-409-11	NETWORK RESISTOR (CHIP) 47			
1052		A1	NETWORK		RB409	1-239-409-11	NETWORK RESISTOR (CHIP) 47			
1053		A1	NETWORK		RB410	1-239-409-11	NETWORK RESISTOR (CHIP) 47			
1054		A1	NETWORK		RB411	1-239-409-11	NETWORK RESISTOR (CHIP) 47			

No.	#	Board	Type	△/*	Ref.No.	Part No.	Descrption	Remarks-1	Remarks-2	Difference
1055		A1	NETWORK		RB412	1-239-409-11	NETWORK RESISTOR (CHIP) 47			
1056		A1	NETWORK		RB413	1-239-409-11	NETWORK RESISTOR (CHIP) 47			
1057		A1	NETWORK		RB414	1-239-409-11	NETWORK RESISTOR (CHIP) 47			
1058		A1	NETWORK		RB415	1-239-409-11	NETWORK RESISTOR (CHIP) 47			
1059		A1	NETWORK		RB416	1-239-409-11	NETWORK RESISTOR (CHIP) 47			
1060		A1	NETWORK		RB417	1-239-409-11	NETWORK RESISTOR (CHIP) 47			
1061		A1	NETWORK		RB418	1-239-409-11	NETWORK RESISTOR (CHIP) 47			
1062		A1	NETWORK		RB419	1-239-409-11	NETWORK RESISTOR (CHIP) 47			
1063		A1	NETWORK		RB420	1-239-409-11	NETWORK RESISTOR (CHIP) 47			
1064		A1	NETWORK		RB421	1-239-409-11	NETWORK RESISTOR (CHIP) 47			
1065		A1	NETWORK		RB422	1-239-409-11	NETWORK RESISTOR (CHIP) 47			
1066		A1	NETWORK		RB423	1-239-409-11	NETWORK RESISTOR (CHIP) 47			
1067		A1	NETWORK		RB424	1-239-409-11	NETWORK RESISTOR (CHIP) 47			
1068		A1	NETWORK		RB425	1-239-409-11	NETWORK RESISTOR (CHIP) 47			
1069		A1	NETWORK		RB701	1-239-412-11	NETWORK RESISTOR (CHIP) 100			
1070		A1	NETWORK		RB702	1-239-389-11	NWTWORK RESISTOR (CHIP) 47K			
1071		A1	NETWORK		RB703	1-239-389-11	NWTWORK RESISTOR (CHIP) 47K			
1072		A1	NETWORK		RB704	1-239-412-11	NETWORK RESISTOR (CHIP) 100			
1073		A1	NETWORK		RB705	1-236-904-11	NETWORK RESISTOR (CHIP) 1.0K			
1074		A1	NETWORK		RB706	1-239-412-11	NETWORK RESISTOR (CHIP) 100			
1075		A1	NETWORK		RB707	1-239-412-11	NETWORK RESISTOR (CHIP) 100			
1076		A1	NETWORK		RB708	1-239-412-11	NETWORK RESISTOR (CHIP) 100			
1077		A1	NETWORK		RB709	1-239-412-11	NETWORK RESISTOR (CHIP) 100			
1078		A1	NETWORK		RB710	1-239-412-11	NETWORK RESISTOR (CHIP) 100			
1079		A1	NETWORK		RB711	1-239-389-11	NWTWORK RESISTOR (CHIP) 47K			
1080		A1	NETWORK		RB712	1-239-389-11	NWTWORK RESISTOR (CHIP) 47K			
1081		A1	NETWORK		RB713	1-239-412-11	NETWORK RESISTOR (CHIP) 100			
1082		A1	NETWORK		RB714	1-239-412-11	NETWORK RESISTOR (CHIP) 100			
1083		A1	NETWORK		RB715	1-239-412-11	NETWORK RESISTOR (CHIP) 100			
1084		A1	NETWORK		RB716	1-239-412-11	NETWORK RESISTOR (CHIP) 100			
1085		A1	NETWORK		RB717	1-236-908-11	NETWORK RESISTOR (CHIP) 10K			

No.	#	Board	Type	△/*	Ref.No.	Part No.	Descrption	Remarks-1	Remarks-2	Difference
1086		A1	NETWORK RESISTOR		RB718	1-239-412-11	NETWORK RESISTOR (CHIP) 100			
1087		A1	NETWORK RESISTOR		RB719	1-239-389-11	NWTWORK RESISTOR (CHIP) 47K			
1088		A1	NETWORK RESISTOR		RB720	1-239-412-11	NETWORK RESISTOR (CHIP) 100			
1089		A1	NETWORK RESISTOR		RB721	1-239-389-11	NWTWORK RESISTOR (CHIP) 47K			
1090		A1	NETWORK RESISTOR		RB722	1-239-412-11	NETWORK RESISTOR (CHIP) 100			
1091		A1	NETWORK RESISTOR		RB723	1-239-412-11	NETWORK RESISTOR (CHIP) 100			
1092		A1	NETWORK RESISTOR		RB724	1-239-412-11	NETWORK RESISTOR (CHIP) 100			
1093		A1	NETWORK RESISTOR		RB725	1-239-412-11	NETWORK RESISTOR (CHIP) 100			
1094		A1	NETWORK RESISTOR		RB726	1-239-412-11	NETWORK RESISTOR (CHIP) 100			
1095		A1	NETWORK RESISTOR		RB727	1-239-412-11	NETWORK RESISTOR (CHIP) 100			
1096		A1	NETWORK RESISTOR		RB728	1-239-412-11	NETWORK RESISTOR (CHIP) 100			
1097		A1	NETWORK RESISTOR		RB729	1-239-412-11	NETWORK RESISTOR (CHIP) 100			
1098		A1	NETWORK RESISTOR		RB730	1-239-412-11	NETWORK RESISTOR (CHIP) 100			
1099		A1	CHECKER		TP1	1-535-757-11	"CHIP, CHECKER"			
1100		A1	CHECKER		TP2	1-535-757-11	"CHIP, CHECKER"			
1101		A1	CHECKER		TP3	1-535-757-11	"CHIP, CHECKER"			
1102		A1	CHECKER		TP4	1-535-757-11	"CHIP, CHECKER"			
1103		A1	CHECKER		TP5	1-535-757-11	"CHIP, CHECKER"			
1104		A1	CHECKER		TP6	1-535-757-11	"CHIP, CHECKER"			
1105		A1	CHECKER		TP7	1-535-757-11	"CHIP, CHECKER"			
1106		A1	CHECKER		TP8	1-535-757-11	"CHIP, CHECKER"			
1107		A1	CHECKER		TP9	1-535-757-11	"CHIP, CHECKER"			
1108		A1	CHECKER		TP10	1-535-757-11	"CHIP, CHECKER"			
1109		A1	CHECKER		TP11	1-535-757-11	"CHIP, CHECKER"			
1110		A1	CHECKER		TP12	1-535-757-11	"CHIP, CHECKER"			
1111		A1	CHECKER		TP13	1-535-757-11	"CHIP, CHECKER"			
1112		A1	CHECKER		TP14	1-535-757-11	"CHIP, CHECKER"			
1113		A1	CHECKER		TP15	1-535-757-11	"CHIP, CHECKER"			
1114		A1	CHECKER		TP16	1-535-757-11	"CHIP, CHECKER"			
1115		A1	CHECKER		TP17	1-535-757-11	"CHIP, CHECKER"			
1116		A1	CHECKER		TP18	1-535-757-11	"CHIP, CHECKER"			

No.	#	Board	Type	△/*	Ref.No.	Part No.	Description	Remarks-1	Remarks-2	Difference
1117		A1	CHECKER		TP19	1-535-757-11	"CHIP, CHECKER"			
1118		A1	CHECKER		TP20	1-535-757-11	"CHIP, CHECKER"			
1119		A1	CHECKER		TP21	1-535-757-11	"CHIP, CHECKER"			
1120		A1	CHECKER		TP22	1-535-757-11	"CHIP, CHECKER"			
1121		A1	CHECKER		TP23	1-535-757-11	"CHIP, CHECKER"			
1122		A1	CHECKER		TP24	1-535-757-11	"CHIP, CHECKER"			
1123		A1	CHECKER		TP25	1-535-757-11	"CHIP, CHECKER"			
1124		A1	CHECKER		TP26	1-535-757-11	"CHIP, CHECKER"			
1125		A1	CHECKER		TP27	1-535-757-11	"CHIP, CHECKER"			
1126		A1	CHECKER		TP28	1-535-757-11	"CHIP, CHECKER"			
1127		A1	CHECKER		TP602	1-535-757-11	"CHIP, CHECKER"			
1128		A1	CHECKER		TP701	1-535-757-11	"CHIP, CHECKER"			
1129		A1	CHECKER		TP702	1-535-757-11	"CHIP, CHECKER"			
1130		A1	CHECKER		TP703	1-535-757-11	"CHIP, CHECKER"			
1131		A1	CHECKER		TP704	1-535-757-11	"CHIP, CHECKER"			
1132		A1	CHECKER		TP705	1-535-757-11	"CHIP, CHECKER"			
1133		A1	CHECKER		TP706	1-535-757-11	"CHIP, CHECKER"			
1134		A1	CHECKER		TP707	1-535-757-11	"CHIP, CHECKER"			
1135		A1	CHECKER		TP708	1-535-757-11	"CHIP, CHECKER"			
1136		A1	CHECKER		TP709	1-535-757-11	"CHIP, CHECKER"			
1137		A1	CHECKER		TP710	1-535-757-11	"CHIP, CHECKER"			
1138		A1	CRYSTSL		X401	1-795-282-21	"OSCILLATOR, CRYSTAL (130MHz)"			
1139		A1	CRYSTSL		X402	1-795-716-21	"OSCILLATOR, CRYSTAL (125MHz)"			
1140		A1	CRYSTSL		X701	1-795-650-21	"VIBRATOR, CRYSTAL (18.384MHz)"			
1141		AU	CAPACITOR		C1300	1-128-992-21	ELECT CHIP 47UF 20% 25V			
1142		AU	CAPACITOR		C1301	1-164-156-11	CERAMIC CHIP 0.1UF 25V			
1143		AU	CAPACITOR		C1302	1-124-779-00	ELECT CHIP 10UF 20.00% 16V			
1144		AU	CAPACITOR		C1303	1-109-982-11	CERAMIC CHIP 1UF 10.00% 10V			
1145		AU	CAPACITOR		C1304	1-109-982-11	CERAMIC CHIP 1UF 10.00% 10V			
1146		AU	CAPACITOR		C1305	1-109-982-11	CERAMIC CHIP 1UF 10.00% 10V			
1147		AU	CAPACITOR		C1306	1-109-982-11	CERAMIC CHIP 1UF 10.00% 10V			

No.	#	Board	Type	△/*	Ref.No.	Part No.	Description	Remarks-1	Remarks-2	Difference
1148		AU	CAPACITOR		C1307	1-127-692-11	CERAMIC CHIP 10UF 10% 16V			
1149		AU	CAPACITOR		C1308	1-115-565-11	CERAMIC CHIP 2.2UF 10.00% 10V			
1150		AU	CAPACITOR		C1309	1-115-565-11	CERAMIC CHIP 2.2UF 10.00% 10V			
1151		AU	CAPACITOR		C1310	1-107-826-11	CERAMIC CHIP 0.1UF 10.00% 16V			
1152		AU	CAPACITOR		C1311	1-162-966-11	CERAMIC CHIP 0.0022UF 10.00% 50V			
1153		AU	CAPACITOR		C1312	1-107-826-11	CERAMIC CHIP 0.1UF 10.00% 16V			
1154		AU	CAPACITOR		C1313	1-162-966-11	CERAMIC CHIP 0.0022UF 10.00% 50V			
1155		AU	CAPACITOR		C1314	1-162-966-11	CERAMIC CHIP 0.0022UF 10.00% 50V			
1156		AU	CAPACITOR		C1315	1-127-692-11	CERAMIC CHIP 10UF 10% 16V			
1157		AU	CAPACITOR		C1316	1-162-966-11	CERAMIC CHIP 0.0022UF 10.00% 50V			
1158		AU	CAPACITOR		C1317	1-109-982-11	CERAMIC CHIP 1UF 10.00% 10V			
1159		AU	CAPACITOR		C1318	1-109-982-11	CERAMIC CHIP 1UF 10.00% 10V			
1160		AU	CAPACITOR		C1319	1-107-826-11	CERAMIC CHIP 0.1UF 10.00% 16V			
1161		AU	CAPACITOR		C1320	1-127-573-11	CERAMIC CHIP 1UF 10% 16V			
1162		AU	CAPACITOR		C1321	1-117-681-11	ELECT CHIP 100UF 20.00% 16V			
1163		AU	CAPACITOR		C1322	1-107-826-11	CERAMIC CHIP 0.1UF 10.00% 16V			
1164		AU	CAPACITOR		C1323	1-107-826-11	CERAMIC CHIP 0.1UF 10.00% 16V			
1165		AU	CAPACITOR		C1324	1-107-826-11	CERAMIC CHIP 0.1UF 10.00% 16V			
1166		AU	CAPACITOR		C1325	1-107-826-11	CERAMIC CHIP 0.1UF 10.00% 16V			
1167		AU	CAPACITOR		C1326	1-107-823-11	CERAMIC CHIP 0.47UF 10.00% 16V			
1168		AU	CAPACITOR		C1327	1-115-340-11	CERAMIC CHIP 0.22UF 10.00% 25V			
1169		AU	CAPACITOR		C1328	1-162-964-11	CERAMIC CHIP 0.001UF 10.00% 50V			
1170		AU	CAPACITOR		C1329	1-115-467-11	CERAMIC CHIP 0.22UF 10.00% 10V			
1171		AU	CAPACITOR		C1330	1-107-823-11	CERAMIC CHIP 0.47UF 10.00% 16V			
1172		AU	CAPACITOR		C1331	1-115-340-11	CERAMIC CHIP 0.22UF 10.00% 25V			
1173		AU	CAPACITOR		C1332	1-162-964-11	CERAMIC CHIP 0.001UF 10.00% 50V			
1174		AU	CAPACITOR		C1334	1-127-692-11	CERAMIC CHIP 10UF 10% 16V			
1175		AU	CAPACITOR		C1335	1-107-823-11	CERAMIC CHIP 0.47UF 10.00% 16V			
1176		AU	CAPACITOR		C1336	1-115-340-11	CERAMIC CHIP 0.22UF 10.00% 25V			
1177		AU	CAPACITOR		C1337	1-115-340-11	CERAMIC CHIP 0.22UF 10.00% 25V			
1178		AU	CAPACITOR		C1338	1-162-964-11	CERAMIC CHIP 0.001UF 10.00% 50V			

No.	#	Board	Type	△/*	Ref.No.	Part No.	Description	Remarks-1	Remarks-2	Difference
1179		AU	CAPACITOR		C1339	1-162-964-11	CERAMIC CHIP 0.001UF 10.00% 50V			
1180		AU	CAPACITOR		C1340	1-117-370-11	CERAMIC CHIP 10UF 10V			
1181		AU	CAPACITOR		C1342	1-162-927-11	CERAMIC CHIP 100PF 5.00% 50V			
1182		AU	CAPACITOR		C1343	1-164-156-11	CERAMIC CHIP 0.1UF 25V			
1183		AU	CAPACITOR		C1346	1-115-467-11	CERAMIC CHIP 0.22UF 10.00% 10V			
1184		AU	CAPACITOR		C1347	1-117-681-11	ELECT CHIP 100UF 20.00% 16V			
1185		AU	CAPACITOR		C1348	1-117-681-11	ELECT CHIP 100UF 20.00% 16V			
1186		AU	CAPACITOR		C1349	1-124-779-00	ELECT CHIP 10UF 20.00% 16V			
1187		AU	CAPACITOR		C1350	1-124-779-00	ELECT CHIP 10UF 20.00% 16V			
1188		AU	CAPACITOR		C1351	1-164-156-11	CERAMIC CHIP 0.1UF 25V			
1189		AU	CAPACITOR		C1381	1-100-309-21	ELECT CHIP 22UF 20% 25V			
1190		AU	CAPACITOR		C1382	1-131-603-22	TANTAL. CHIP 100UF 20% 10V			
1191		AU	CAPACITOR		C1388	1-164-156-11	CERAMIC CHIP 0.1UF 25V			
1192		AU	CAPACITOR		C1389	1-164-156-11	CERAMIC CHIP 0.1UF 25V			
1193		AU	CAPACITOR		C1390	1-110-501-11	CERAMIC CHIP 0.33UF 10.00% 16V			
1194		AU	CAPACITOR		C1391	1-164-315-11	CERAMIC CHIP 470PF 5.00% 50V			
1195		AU	CAPACITOR		C1392	1-107-826-11	CERAMIC CHIP 0.1UF 10.00% 16V			
1196		AU	CAPACITOR		C1393	1-164-156-11	CERAMIC CHIP 0.1UF 25V			
1197		AU	CAPACITOR		C1394	1-131-603-22	TANTAL. CHIP 100UF 20% 10V			
1198		AU	JACK		CN1300	1-566-822-21	JACK			
1199		AU	JACK		CN1301	1-566-822-21	JACK			
1200		AU	CONNECTOR	*	CN1302	1-764-007-11	"PIN, CONNECTOR (SMD) 12P"			
1201		AU	CONNECTOR	*	CN1303	1-569-775-21	"PIN, CONNECTOR (SMD) 5P"			
1202		AU	CONNECTOR	*	CN1304	1-580-057-11	"PIN, CONNECTOR (SMD) 4P"			
1203		AU	DIODE		D1300	8-719-987-69	DIODE DAN217			
1204		AU	DIODE		D1301	8-719-987-69	DIODE DAN217			
1205		AU	DIODE		D1302	8-719-987-69	DIODE DAN217			
1206		AU	DIODE		D1303	8-719-987-69	DIODE DAN217			
1207		AU	DIODE		D1304	8-719-988-61	DIODE 1SS355TE-17			
1208		AU	DIODE		D1305	8-719-404-50	DIODE MA111-TX			
1209		AU	DIODE		D1307	8-719-988-61	DIODE 1SS355TE-17			

No.	#	Board	Type	△/*	Ref.No.	Part No.	Description	Remarks-1	Remarks-2	Difference
1210		AU	DIODE		D1308	8-719-988-61	DIODE 1SS355TE-17			
1211		AU	DIODE		D1309	8-719-988-61	DIODE 1SS355TE-17			
1212		AU	DIODE		D1310	8-719-988-61	DIODE 1SS355TE-17			
1213		AU	DIODE		D1311	8-719-988-61	DIODE 1SS355TE-17			
1214		AU	DIODE		D1382	8-719-069-56	DIODE UDZSTE-176.2B			
1215		AU	DIODE		D1383	8-719-073-92	DIODE RB060L-40TE25			
1216		AU	DIODE		D1384	8-719-987-69	DIODE DAN217			
1217		AU	DIODE		D1385	8-719-987-69	DIODE DAN217			
1218		AU	DIODE		D1386	8-719-987-69	DIODE DAN217			
1219		AU	DIODE		D1387	8-719-987-69	DIODE DAN217			
1220		AU	FERRITE BEAD		FB1300	1-469-118-21	FERRITE 0UH			
1221		AU	FERRITE BEAD		FB1301	1-469-118-21	FERRITE 0UH			
1222		AU	FERRITE BEAD		FB1302	1-469-118-21	FERRITE 0UH			
1223		AU	FERRITE BEAD		FB1303	1-469-118-21	FERRITE 0UH			
1224		AU	FERRITE BEAD		FB1306	1-414-760-21	FERRITE 0UH			
1225		AU	FERRITE BEAD		FB1307	1-414-760-21	FERRITE 0UH			
1226		AU	FERRITE BEAD		FB1308	1-414-760-21	FERRITE 0UH			
1227		AU	FILTER		FL1301	1-239-899-21	FERRITE 0UH			
1228		AU	IC		IC1300	8-759-521-89	IC PQ20WZ5U			
1229		AU	IC		IC1301	8-759-450-93	IC NJM2521M-TE1			
1230		AU	IC		IC1302	8-759-450-93	IC NJM2521M-TE1			
1231		AU	IC		IC1303	6-702-817-11	IC BD3869F-E2			
1232		AU	IC		IC1304	8-759-596-49	IC LM4863MTEX			
1233		AU	IC		IC1306	8-759-521-89	IC PQ20WZ5U			
1234		AU	IC		IC1307	8-759-100-93	IC UPC393G2			
1235		AU	IC		IC1308	8-759-485-77	IC BA9743AFV-E2			
1236		AU	COIL		L1301	1-469-528-91	INDUCTOR 100UH			
1237		AU	COIL		L1302	1-419-524-21	INDUCTOR 100UH			
1238		AU	FUSE	△	PS1380	1-533-952-21	"FUSE, CHIP"			
1239		AU	TRANSISTOR		Q1300	8-729-907-00	TRANSISTOR DTC114EU			
1240		AU	TRANSISTOR		Q1301	8-729-907-00	TRANSISTOR DTC114EU			

No.	#	Board	Type	△/*	Ref.No.	Part No.	Description	Remarks-1	Remarks-2	Difference
1241		AU	TRANSISTOR		Q1302	8-729-015-39	TRANSISTOR DTC323TK			
1242		AU	TRANSISTOR		Q1303	8-729-907-00	TRANSISTOR DTC114EU			
1243		AU	TRANSISTOR		Q1304	8-729-015-39	TRANSISTOR DTC323TK			
1244		AU	TRANSISTOR		Q1306	8-729-028-73	TRANSISTOR DTA114EUA-T106			
1245		AU	TRANSISTOR		Q1307	8-729-920-85	TRANSISTOR 2SD1664-QR			
1246		AU	TRANSISTOR		Q1308	8-729-903-46	TRANSISTOR 2SB1132-P			
1247		AU	TRANSISTOR		Q1309	8-729-043-74	TRANSISTOR SI4435DY-T1-REVA			
1248		AU	TRANSISTOR		Q1311	8-729-046-75	TRANSISTOR SI2301DS-T1			
1249		AU	TRANSISTOR		Q1312	8-729-907-00	TRANSISTOR DTC114EU			
1250		AU	RESISTOR		R1300	1-216-864-11	SHORT CHIP 0			
1251		AU	RESISTOR		R1301	1-216-833-11	METAL CHIP 10K 5% 1/10W			
1252		AU	RESISTOR		R1302	1-216-864-11	SHORT CHIP 0			
1253		AU	RESISTOR		R1303	1-216-864-11	SHORT CHIP 0			
1254		AU	RESISTOR		R1308	1-216-817-11	METAL CHIP 470 5% 1/10W			
1255		AU	RESISTOR		R1309	1-216-817-11	METAL CHIP 470 5% 1/10W			
1256		AU	RESISTOR		R1310	1-216-829-11	METAL CHIP 4.7K 5% 1/10W			
1257		AU	RESISTOR		R1311	1-216-829-11	METAL CHIP 4.7K 5% 1/10W			
1258		AU	RESISTOR		R1312	1-216-821-11	METAL CHIP 1K 5% 1/10W			
1259		AU	RESISTOR		R1313	1-216-821-11	METAL CHIP 1K 5% 1/10W			
1260		AU	RESISTOR		R1314	1-216-821-11	METAL CHIP 1K 5% 1/10W			
1261		AU	RESISTOR		R1315	1-216-821-11	METAL CHIP 1K 5% 1/10W			
1262		AU	RESISTOR		R1316	1-218-699-11	METAL CHIP 2K 0.5% 1/16W			
1263		AU	RESISTOR		R1317	1-218-708-11	METAL CHIP 4.7K 0.5% 1/16W			
1264		AU	RESISTOR		R1318	1-218-271-11	METAL CHIP 2K 5% 1/10W			
1265		AU	RESISTOR		R1319	1-218-724-11	METAL CHIP 22K 0.5% 1/16W			
1266		AU	RESISTOR		R1320	1-218-271-11	METAL CHIP 2K 5% 1/10W			
1267		AU	RESISTOR		R1321	1-218-724-11	METAL CHIP 22K 0.5% 1/16W			
1268		AU	RESISTOR		R1322	1-216-857-11	METAL CHIP 1M 5% 1/10W			
1269		AU	RESISTOR		R1323	1-216-857-11	METAL CHIP 1M 5% 1/10W			
1270		AU	RESISTOR		R1324	1-216-852-11	METAL CHIP 390K 5% 1/10W			
1271		AU	RESISTOR		R1325	1-216-852-11	METAL CHIP 390K 5% 1/10W			

No.	#	Board	Type	△/*	Ref.No.	Part No.	Descrption	Remarks-1	Remarks-2	Difference
1272		AU	RESISTOR		R1326	1-216-830-11	METAL CHIP 5.6K 5% 1/10W			
1273		AU	RESISTOR		R1327	1-216-830-11	METAL CHIP 5.6K 5% 1/10W			
1274		AU	RESISTOR		R1328	1-218-739-91	METAL CHIP 91K 0.5% 1/16W			
1275		AU	RESISTOR		R1329	1-216-821-11	METAL CHIP 1K 5% 1/10W			
1276		AU	RESISTOR		R1330	1-216-821-11	METAL CHIP 1K 5% 1/10W			
1277		AU	RESISTOR		R1331	1-216-821-11	METAL CHIP 1K 5% 1/10W			
1278		AU	RESISTOR		R1332	1-216-821-11	METAL CHIP 1K 5% 1/10W			
1279		AU	RESISTOR		R1333	1-218-723-11	METAL CHIP 20K 0.5% 1/16W			
1280		AU	RESISTOR		R1334	1-218-699-11	METAL CHIP 2K 0.5% 1/16W			
1281		AU	RESISTOR		R1335	1-218-713-11	METAL CHIP 7.5K 0.5% 1/16W			
1282		AU	RESISTOR		R1336	1-216-841-11	METAL CHIP 47K 5% 1/10W			
1283		AU	RESISTOR		R1337	1-216-821-11	METAL CHIP 1K 5% 1/10W			
1284		AU	RESISTOR		R1338	1-216-821-11	METAL CHIP 1K 5% 1/10W			
1285		AU	RESISTOR		R1339	1-216-833-11	METAL CHIP 10K 5% 1/10W			
1286		AU	RESISTOR		R1340	1-216-833-11	METAL CHIP 10K 5% 1/10W			
1287		AU	RESISTOR		R1341	1-216-821-11	METAL CHIP 1K 5% 1/10W			
1288		AU	RESISTOR		R1342	1-216-845-11	METAL CHIP 100K 5% 1/10W			
1289		AU	RESISTOR		R1343	1-216-849-11	METAL CHIP 220K 5% 1/10W			
1290		AU	RESISTOR		R1344	1-216-845-11	METAL CHIP 100K 5% 1/10W			
1291		AU	RESISTOR		R1349	1-218-723-11	METAL CHIP 20K 0.5% 1/16W			
1292		AU	RESISTOR		R1350	1-218-739-91	METAL CHIP 91K 0.5% 1/16W			
1293		AU	RESISTOR		R1352	1-216-864-11	SHORT CHIP 0			
1294		AU	RESISTOR		R1353	1-216-864-11	SHORT CHIP 0			
1295		AU	RESISTOR		R1355	1-216-833-11	METAL CHIP 10K 5% 1/10W			
1296		AU	RESISTOR		R1356	1-216-821-11	METAL CHIP 1K 5% 1/10W			
1297		AU	RESISTOR		R1359	1-216-833-11	METAL CHIP 10K 5% 1/10W			
1298		AU	RESISTOR		R1360	1-240-129-21	RES-CHIP 120 5% 1/8W			
1299		AU	RESISTOR		R1361	1-240-129-21	RES-CHIP 120 5% 1/8W			
1300		AU	RESISTOR		R1362	1-216-849-11	METAL CHIP 220K 5% 1/10W			
1301		AU	RESISTOR		R1365	1-216-841-11	METAL CHIP 47K 5% 1/10W			
1302		AU	RESISTOR		R1366	1-216-841-11	METAL CHIP 47K 5% 1/10W			

No.	#	Board	Type	△/*	Ref.No.	Part No.	Description	Remarks-1	Remarks-2	Difference
1303		AU	RESISTOR		R1368	1-216-864-11	SHORT CHIP 0			
1304		AU	RESISTOR		R1370	1-216-849-11	METAL CHIP 220K 5% 1/10W			
1305		AU	RESISTOR		R1371	1-216-821-11	METAL CHIP 1K 5% 1/10W			
1306		AU	RESISTOR		R1372	1-216-841-11	METAL CHIP 47K 5% 1/10W			
1307		AU	RESISTOR		R1373	1-216-841-11	METAL CHIP 47K 5% 1/10W			
1308		AU	RESISTOR		R1374	1-216-841-11	METAL CHIP 47K 5% 1/10W			
1309		AU	RESISTOR		R1375	1-216-841-11	METAL CHIP 47K 5% 1/10W			
1310		AU	RESISTOR		R1376	1-216-849-11	METAL CHIP 220K 5% 1/10W			
1311		AU	RESISTOR		R1377	1-216-849-11	METAL CHIP 220K 5% 1/10W			
1312		AU	RESISTOR		R1378	1-216-864-11	SHORT CHIP 0			
1313		AU	RESISTOR		R1391	1-216-864-11	SHORT CHIP 0			
1314		AU	RESISTOR		R1392	1-218-292-11	METAL CHIP 20K 5% 1/10W			
1315		AU	RESISTOR		R1393	1-218-716-11	METAL CHIP 10K 0.5% 1/16W			
1316		AU	RESISTOR		R1394	1-216-839-11	METAL CHIP 33K 5% 1/10W			
1317		AU	RESISTOR		R1395	1-218-716-11	METAL CHIP 10K 0.5% 1/16W			
1318		AU	RESISTOR		R1396	1-218-716-11	METAL CHIP 10K 0.5% 1/16W			
1319		AU	RESISTOR		R1397	1-216-864-11	SHORT CHIP 0			
1320		AU	RESISTOR		R1398	1-216-042-00	RES-CHIP 510 5% 1/10W			
1321		AU	RESISTOR		R1399	1-216-042-00	RES-CHIP 510 5% 1/10W			
1322		AU	RESISTOR		R1400	1-218-727-11	METAL CHIP 30K 0.5% 1/16W			
1323		AU	RESISTOR		R1401	1-216-864-11	SHORT CHIP 0			
1324		AU	RESISTOR		R1402	1-218-716-11	METAL CHIP 10K 0.5% 1/16W			
1325		AU	RESISTOR		R1405	1-216-833-11	METAL CHIP 10K 5% 1/10W			
1326		H1	CAPACITOR		C1701	1-107-826-11	CERAMIC CHIP 0.1UF 10.00% 16V			
1327		H1	CAPACITOR		C1702	1-107-826-11	CERAMIC CHIP 0.1UF 10.00% 16V			
1328		H1	CAPACITOR		C1703	1-107-826-11	CERAMIC CHIP 0.1UF 10.00% 16V			
1329		H1	CAPACITOR		C1704	1-107-826-11	CERAMIC CHIP 0.1UF 10.00% 16V			
1330		H1	CAPACITOR		C1705	1-107-826-11	CERAMIC CHIP 0.1UF 10.00% 16V			
1331		H1	CONNECTOR		CN1701	1-785-627-21	"PIN, CONNECTOR (PC BOARD) 10P"			
1332		H1	DIODE		D1700	8-719-069-55	DIODE UDZSTE-175.6B			
1333		H1	DIODE		D1707	8-719-991-97	DIODE BRPG1201W			

No.	#	Board	Type	△/*	Ref.No.	Part No.	Description	Remarks-1	Remarks-2	Difference
1334		H1	DIODE		D1708	8-719-951-14	DIODE AA1101W			
1335		H1	DIODE		D1709	8-719-951-14	DIODE AA1101W			
1336		H1	TRANSISTOR		Q1700	8-729-907-00	TRANSISTOR DTC114EU			
1337		H1	TRANSISTOR		Q1701	8-729-907-00	TRANSISTOR DTC114EU			
1338		H1	TRANSISTOR		Q1702	8-729-907-00	TRANSISTOR DTC114EU			
1339		H1	TRANSISTOR		Q1703	8-729-907-00	TRANSISTOR DTC114EU			
1340		H1	RESISTOR		R1703	1-216-820-11	METAL CHIP 820 5% 1/10W			
1341		H1	RESISTOR		R1705	1-216-817-11	METAL CHIP 470 5% 1/10W			
1342		H1	RESISTOR		R1706	1-216-818-11	METAL CHIP 560 5% 1/10W			
1343		H1	RESISTOR		R1707	1-216-818-11	METAL CHIP 560 5% 1/10W			
1344		H1	RESISTOR		R1708	1-218-457-11	METAL CHIP 910 5% 1/10W			
1345		H1	RESISTOR		R1709	1-218-457-11	METAL CHIP 910 5% 1/10W			
1346		H1	RESISTOR		R1710	1-216-824-11	METAL CHIP 1.8K 5% 1/10W			
1347		H1	RESISTOR		R1711	1-216-824-11	METAL CHIP 1.8K 5% 1/10W			
1348		H1	RESISTOR		R1712	1-216-830-11	METAL CHIP 5.6K 5% 1/10W			
1349		H1	RESISTOR		R1713	1-216-830-11	METAL CHIP 5.6K 5% 1/10W			
1350		H1	RESISTOR		R1714	1-216-817-11	METAL CHIP 470 5% 1/10W			
1351		H1	RESISTOR		R1715	1-216-817-11	METAL CHIP 470 5% 1/10W			
1352		H1	RESISTOR		R1716	1-216-809-11	METAL CHIP 100 5% 1/10W			
1353		H1	RESISTOR		R1717	1-216-864-11	SHORT CHIP 0			
1354		H1	RESISTOR		R1718	1-216-864-11	SHORT CHIP 0			
1355		H1	SWITCH		S1700	1-572-921-11	"SWITCH, KEY BOARD (POWER)"			
1356		H1	SWITCH		S1701	1-572-921-11	"SWITCH, KEY BOARD (OK)"			
1357		H1	SWITCH		S1702	1-572-921-11	"SWITCH, KEY BOARD (DOWN)"			
1358		H1	SWITCH		S1703	1-572-921-11	"SWITCH, KEY BOARD (UP)"			
1359		H1	SWITCH		S1704	1-572-921-11	"SWITCH, KEY BOARD (MENU)"			
1360		H1	SWITCH		S1707	1-572-921-11	"SWITCH, KEY BOARD (ECO)"			
1361		H1	SWITCH		S1708	1-572-921-11	"SWITCH, KEY BOARD (INPUT)"			
1362		I	CAPACITOR		C1000	1-165-176-11	CERAMIC CHIP 0.047UF 10.00% 16V			
1363		I	CAPACITOR		C1001	1-135-960-91	CERAMIC CHIP 10UF 10% 25V			
1364		I	CAPACITOR		C1020	1-165-176-11	CERAMIC CHIP 0.047UF 10.00% 16V			

No.	#	Board	Type	△/*	Ref.No.	Part No.	Description	Remarks-1	Remarks-2	Difference
1365		I	CAPACITOR		C1021	1-135-960-91	CERAMIC CHIP 10UF 10% 25V			
1366		I	CAPACITOR		C1025	1-135-960-91	CERAMIC CHIP 10UF 10% 25V			
1367		I	CAPACITOR		C1026	1-135-960-91	CERAMIC CHIP 10UF 10% 25V			
1368		I	CAPACITOR		C1041	1-135-960-91	CERAMIC CHIP 10UF 10% 25V			
1369		I	CAPACITOR		C1042	1-162-970-11	CERAMIC CHIP 0.01UF 10.00% 25V			
1370		I	CAPACITOR		C1060	1-125-838-11	CERAMIC CHIP 2.2UF 10% 6.3V			
1371		I	CAPACITOR		C1061	1-165-176-11	CERAMIC CHIP 0.047UF 10.00% 16V			
1372		I	CAPACITOR		C1062	1-162-970-11	CERAMIC CHIP 0.01UF 10.00% 25V			
1373		I	CAPACITOR		C1063	1-162-970-11	CERAMIC CHIP 0.01UF 10.00% 25V			
1374		I	CAPACITOR		C1064	1-164-360-11	CERAMIC CHIP 0.1UF 16V			
1375		I	CAPACITOR		C1065	1-135-960-91	CERAMIC CHIP 10UF 10% 25V			
1376		I	CAPACITOR		C1100	1-165-176-11	CERAMIC CHIP 0.047UF 10.00% 16V			
1377		I	CAPACITOR		C1101	1-135-960-91	CERAMIC CHIP 10UF 10% 25V			
1378		I	CAPACITOR		C1120	1-165-176-11	CERAMIC CHIP 0.047UF 10.00% 16V			
1379		I	CAPACITOR		C1121	1-135-960-91	CERAMIC CHIP 10UF 10% 25V			
1380		I	CAPACITOR		C1125	1-135-960-91	CERAMIC CHIP 10UF 10% 25V			
1381		I	CAPACITOR		C1126	1-135-960-91	CERAMIC CHIP 10UF 10% 25V			
1382		I	CAPACITOR		C1141	1-135-960-91	CERAMIC CHIP 10UF 10% 25V			
1383		I	CAPACITOR		C1142	1-162-970-11	CERAMIC CHIP 0.01UF 10.00% 25V			
1384		I	CAPACITOR		C1161	1-165-176-11	CERAMIC CHIP 0.047UF 10.00% 16V			
1385		I	CAPACITOR		C1162	1-162-970-11	CERAMIC CHIP 0.01UF 10.00% 25V			
1386		I	CAPACITOR		C1163	1-162-970-11	CERAMIC CHIP 0.01UF 10.00% 25V			
1387		I	CAPACITOR		C1164	1-164-360-11	CERAMIC CHIP 0.1UF 16V			
1388		I	CAPACITOR		C1165	1-135-960-91	CERAMIC CHIP 10UF 10% 25V			
1389		I	CAPACITOR		C1200	1-162-970-11	CERAMIC CHIP 0.01UF 10.00% 25V			
1390		I	CAPACITOR		C1201	1-107-826-11	CERAMIC CHIP 0.1UF 10.00% 16V			
1391		I	CAPACITOR		C1203	1-127-573-11	CERAMIC CHIP 1UF 10% 16V			
1392		I	CAPACITOR		C1204	1-104-700-11	CERAMIC CHIP 0.027UF 10.00% 16V			
1393		I	CAPACITOR		C1206	1-107-826-11	CERAMIC CHIP 0.1UF 10.00% 16V			
1394		I	CAPACITOR		C1207	1-107-826-11	CERAMIC CHIP 0.1UF 10.00% 16V			
1395		I	CAPACITOR		C1208	1-164-505-11	CERAMIC CHIP 2.2UF 16V			

No.	#	Board	Type	△/*	Ref.No.	Part No.	Description	Remarks-1	Remarks-2	Difference
1396		I	CAPACITOR		C1209	1-127-738-91	CERAMIC CHIP 4.7UF 10% 25V			
1397		I	CAPACITOR		C1210	1-162-971-11	CERAMIC CHIP 0.001UF 10.00% 50V			
1398		I	CAPACITOR		C1212	1-164-360-11	CERAMIC CHIP 0.1UF 16V			
1399		I	CAPACITOR		C1213	1-115-156-11	CERAMIC CHIP 1UF 10V			
1400		I	CAPACITOR		C1214	1-162-960-11	CERAMIC CHIP 220PF 10.00% 50V			
1401		I	CAPACITOR		C1217	1-162-970-11	CERAMIC CHIP 0.01UF 10.00% 25V			
1402		I	CONNECTOR		CN1000	1-816-960-21	"PIN, CONNECTOR (PC BOARD)4P"			
1403		I	CONNECTOR		CN1040	1-815-494-21	"PIN, CONNECTOR 2P"			
1404		I	CONNECTOR		CN1100	1-816-960-21	"PIN, CONNECTOR (PC BOARD)4P"			
1405		I	CONNECTOR		CN1140	1-815-494-21	"PIN, CONNECTOR 2P"			
1406		I	CONNECTOR		CN1200	1-779-884-11	CONNECTOR 4P			
1407		I	CONNECTOR	*	CN1201	1-764-250-11	"PIN, CONNECTOR (PC BOARD) 4P"			
1408		I	DIODE		D1000	8-719-404-50	DIODE MA111-TX			
1409		I	DIODE		D1001	8-719-800-76	DIODE 1SS226			
1410		I	DIODE		D1003	8-719-800-76	DIODE 1SS226			
1411		I	DIODE		D1005	8-719-404-50	DIODE MA111-TX			
1412		I	DIODE		D1020	8-719-404-50	DIODE MA111-TX			
1413		I	DIODE		D1021	8-719-800-76	DIODE 1SS226			
1414		I	DIODE		D1023	8-719-800-76	DIODE 1SS226			
1415		I	DIODE		D1025	8-719-404-50	DIODE MA111-TX			
1416		I	DIODE		D1041	8-719-800-76	DIODE 1SS226			
1417		I	DIODE		D1043	8-719-800-76	DIODE 1SS226			
1418		I	DIODE		D1045	8-719-404-50	DIODE MA111-TX			
1419		I	DIODE		D1046	6-500-395-11	DIODE RD56SB-T1			
1420		I	DIODE		D1060	8-719-044-92	DIODE HZU4.7B3TRF			
1421		I	DIODE		D1062	8-719-404-50	DIODE MA111-TX			
1422		I	DIODE		D1100	8-719-404-50	DIODE MA111-TX			
1423		I	DIODE		D1101	8-719-800-76	DIODE 1SS226			
1424		I	DIODE		D1103	8-719-800-76	DIODE 1SS226			
1425		I	DIODE		D1105	8-719-404-50	DIODE MA111-TX			
1426		I	DIODE		D1120	8-719-404-50	DIODE MA111-TX			

No.	#	Board	Type	△/*	Ref.No.	Part No.	Description	Remarks-1	Remarks-2	Difference
1427		I	DIODE		D1121	8-719-800-76	DIODE 1SS226			
1428		I	DIODE		D1123	8-719-800-76	DIODE 1SS226			
1429		I	DIODE		D1125	8-719-404-50	DIODE MA111-TX			
1430		I	DIODE		D1141	8-719-800-76	DIODE 1SS226			
1431		I	DIODE		D1143	8-719-800-76	DIODE 1SS226			
1432		I	DIODE		D1145	8-719-404-50	DIODE MA111-TX			
1433		I	DIODE		D1146	6-500-395-11	DIODE RD56SB-T1			
1434		I	DIODE		D1160	8-719-044-92	DIODE HZU4.7B3TRF			
1435		I	DIODE		D1162	8-719-404-50	DIODE MA111-TX			
1436		I	DIODE		D1200	8-719-069-60	DIODE UDZSTE-179.1B			
1437		I	DIODE		D1201	8-719-404-50	DIODE MA111-TX			
1438		I	DIODE		D1202	8-719-073-39	DIODE HZU5.6GTRF			
1439		I	DIODE		D1203	8-719-404-50	DIODE MA111-TX			
1440		I	DIODE		D1205	6-500-394-11	DIODE RD47SB-T1			
1441		I	FILTER		FL1201	1-239-899-21	FERRITE 0UH			
1442		I	IC		IC1200	6-702-938-01	IC TK11250CMCL			
1443		I	IC		IC1201	6-702-626-01	IC OZ967SN-B-0-T2			
1444		I	IC		IC1203	8-759-277-63	IC TC7W14FU(TE12R)			
1445		I	FUSE	△	PS1060	1-533-952-21	"FUSE, CHIP"			
1446		I	FUSE	△	PS1160	1-533-952-21	"FUSE, CHIP"			
1447		I	IC LINK	△	PS1200	1-576-122-21	"LINK, IC"			
1448		I	TRANSISTOR		Q1000	8-729-025-28	TRANSISTOR 2SK1828			
1449		I	TRANSISTOR		Q1001	6-550-343-01	TRANSISTOR HAT3010R-EL			
1450		I	TRANSISTOR		Q1002	6-550-343-01	TRANSISTOR HAT3010R-EL			
1451		I	TRANSISTOR		Q1020	8-729-025-28	TRANSISTOR 2SK1828			
1452		I	TRANSISTOR		Q1040	8-729-025-28	TRANSISTOR 2SK1828			
1453		I	TRANSISTOR		Q1100	8-729-025-28	TRANSISTOR 2SK1828			
1454		I	TRANSISTOR		Q1101	6-550-343-01	TRANSISTOR HAT3010R-EL			
1455		I	TRANSISTOR		Q1102	6-550-343-01	TRANSISTOR HAT3010R-EL			
1456		I	TRANSISTOR		Q1120	8-729-025-28	TRANSISTOR 2SK1828			
1457		I	TRANSISTOR		Q1140	8-729-025-28	TRANSISTOR 2SK1828			

No.	#	Board	Type	△/*	Ref.No.	Part No.	Description	Remarks-1	Remarks-2	Difference
1458		I	TRANSISTOR		Q1202	8-729-026-49	TRANSISTOR 2SA1037AK-T146-R			
1459		I	TRANSISTOR		Q1203	8-729-026-49	TRANSISTOR 2SA1037AK-T146-R			
1460		I	TRANSISTOR		Q1204	8-729-025-28	TRANSISTOR 2SK1828			
1461		I	RESISTOR		R1000	1-216-857-11	METAL CHIP 1M 5% 1/10W			
1462		I	RESISTOR		R1001	1-216-833-11	METAL CHIP 10K 5% 1/10W			
1463		I	RESISTOR		R1002	1-218-691-11	METAL CHIP 910 0.5% 1/16W			
1464		I	RESISTOR		R1003	1-216-833-11	METAL CHIP 10K 5% 1/10W			
1465		I	RESISTOR		R1004	1-218-697-11	METAL CHIP 1.6K 0.5% 1/16W			
1466		I	RESISTOR		R1005	1-218-684-11	METAL CHIP 470 0.5% 1/16W			
1467		I	RESISTOR		R1006	1-218-716-11	METAL CHIP 10K 0.5% 1/16W			
1468		I	RESISTOR		R1007	1-218-716-11	METAL CHIP 10K 0.5% 1/16W			
1469		I	RESISTOR		R1008	1-216-864-11	SHORT CHIP 0			
1470		I	RESISTOR		R1009	1-216-864-11	SHORT CHIP 0			
1471		I	RESISTOR		R1010	1-216-864-11	SHORT CHIP 0			
1472		I	RESISTOR		R1011	1-216-864-11	SHORT CHIP 0			
1473		I	RESISTOR		R1012	1-216-864-11	SHORT CHIP 0			
1474		I	RESISTOR		R1013	1-216-864-11	SHORT CHIP 0			
1475		I	RESISTOR		R1014	1-216-804-11	METAL CHIP 39 5% 1/10W			
1476		I	RESISTOR		R1015	1-216-804-11	METAL CHIP 39 5% 1/10W			
1477		I	RESISTOR		R1020	1-216-857-11	METAL CHIP 1M 5% 1/10W			
1478		I	RESISTOR		R1021	1-216-833-11	METAL CHIP 10K 5% 1/10W			
1479		I	RESISTOR		R1022	1-218-691-11	METAL CHIP 910 0.5% 1/16W			
1480		I	RESISTOR		R1023	1-216-833-11	METAL CHIP 10K 5% 1/10W			
1481		I	RESISTOR		R1024	1-218-697-11	METAL CHIP 1.6K 0.5% 1/16W			
1482		I	RESISTOR		R1025	1-218-684-11	METAL CHIP 470 0.5% 1/16W			
1483		I	RESISTOR		R1026	1-218-716-11	METAL CHIP 10K 0.5% 1/16W			
1484		I	RESISTOR		R1028	1-216-804-11	METAL CHIP 39 5% 1/10W			
1485		I	RESISTOR		R1029	1-216-804-11	METAL CHIP 39 5% 1/10W			
1486		I	RESISTOR		R1040	1-220-397-11	METAL CHIP 4.7M 5% 1/10W			
1487		I	RESISTOR		R1041	1-216-833-11	METAL CHIP 10K 5% 1/10W			
1488		I	RESISTOR		R1042	1-218-680-11	METAL CHIP 330 0.5% 1/16W			

No.	#	Board	Type	△/*	Ref.No.	Part No.	Description	Remarks-1	Remarks-2	Difference
1489		I	RESISTOR		R1043	1-216-845-11	METAL CHIP 100K 5% 1/10W			
1490		I	RESISTOR		R1044	1-218-680-11	METAL CHIP 330 0.5% 1/16W			
1491		I	RESISTOR		R1045	1-218-679-11	METAL CHIP 300 0.5% 1/16W			
1492		I	RESISTOR		R1046	1-218-733-11	METAL CHIP 51K 0.5% 1/16W			
1493		I	RESISTOR		R1060	1-218-728-11	METAL CHIP 33K 0.5% 1/16W			
1494		I	RESISTOR		R1061	1-218-272-11	METAL CHIP 5.1K 5% 1/10W			
1495		I	RESISTOR		R1062	1-216-845-11	METAL CHIP 100K 5% 1/10W			
1496		I	RESISTOR		R1063	1-216-839-11	METAL CHIP 33K 5% 1/10W			
1497		I	RESISTOR		R1100	1-216-857-11	METAL CHIP 1M 5% 1/10W			
1498		I	RESISTOR		R1101	1-216-833-11	METAL CHIP 10K 5% 1/10W			
1499		I	RESISTOR		R1102	1-218-691-11	METAL CHIP 910 0.5% 1/16W			
1500		I	RESISTOR		R1103	1-216-833-11	METAL CHIP 10K 5% 1/10W			
1501		I	RESISTOR		R1104	1-218-697-11	METAL CHIP 1.6K 0.5% 1/16W			
1502		I	RESISTOR		R1105	1-218-684-11	METAL CHIP 470 0.5% 1/16W			
1503		I	RESISTOR		R1106	1-218-716-11	METAL CHIP 10K 0.5% 1/16W			
1504		I	RESISTOR		R1107	1-218-716-11	METAL CHIP 10K 0.5% 1/16W			
1505		I	RESISTOR		R1114	1-216-804-11	METAL CHIP 39 5% 1/10W			
1506		I	RESISTOR		R1115	1-216-804-11	METAL CHIP 39 5% 1/10W			
1507		I	RESISTOR		R1120	1-216-857-11	METAL CHIP 1M 5% 1/10W			
1508		I	RESISTOR		R1121	1-216-833-11	METAL CHIP 10K 5% 1/10W			
1509		I	RESISTOR		R1122	1-218-691-11	METAL CHIP 910 0.5% 1/16W			
1510		I	RESISTOR		R1123	1-216-833-11	METAL CHIP 10K 5% 1/10W			
1511		I	RESISTOR		R1124	1-218-697-11	METAL CHIP 1.6K 0.5% 1/16W			
1512		I	RESISTOR		R1125	1-218-684-11	METAL CHIP 470 0.5% 1/16W			
1513		I	RESISTOR		R1126	1-218-716-11	METAL CHIP 10K 0.5% 1/16W			
1514		I	RESISTOR		R1128	1-216-804-11	METAL CHIP 39 5% 1/10W			
1515		I	RESISTOR		R1129	1-216-804-11	METAL CHIP 39 5% 1/10W			
1516		I	RESISTOR		R1140	1-220-397-11	METAL CHIP 4.7M 5% 1/10W			
1517		I	RESISTOR		R1141	1-216-833-11	METAL CHIP 10K 5% 1/10W			
1518		I	RESISTOR		R1142	1-218-680-11	METAL CHIP 330 0.5% 1/16W			
1519		I	RESISTOR		R1143	1-216-845-11	METAL CHIP 100K 5% 1/10W			

No.	#	Board	Type	△/*	Ref.No.	Part No.	Description	Remarks-1	Remarks-2	Difference
1520		I	RESISTOR		R1144	1-218-680-11	METAL CHIP 330 0.5% 1/16W			
1521		I	RESISTOR		R1145	1-218-679-11	METAL CHIP 300 0.5% 1/16W			
1522		I	RESISTOR		R1146	1-218-733-11	METAL CHIP 51K 0.5% 1/16W			
1523		I	RESISTOR		R1160	1-218-728-11	METAL CHIP 33K 0.5% 1/16W			
1524		I	RESISTOR		R1161	1-218-272-11	METAL CHIP 5.1K 5% 1/10W			
1525		I	RESISTOR		R1162	1-216-845-11	METAL CHIP 100K 5% 1/10W			
1526		I	RESISTOR		R1163	1-216-839-11	METAL CHIP 33K 5% 1/10W			
1527		I	RESISTOR		R1200	1-216-821-11	METAL CHIP 1K 5% 1/10W			
1528		I	RESISTOR		R1201	1-216-821-11	METAL CHIP 1K 5% 1/10W			
1529		I	RESISTOR		R1202	1-216-847-11	METAL CHIP 150K 5% 1/10W			
1530		I	RESISTOR		R1203	1-218-729-11	METAL CHIP 36K 0.5% 1/16W			
1531		I	RESISTOR		R1204	1-218-729-11	METAL CHIP 36K 0.5% 1/16W			
1532		I	RESISTOR		R1205	1-218-716-11	METAL CHIP 10K 0.5% 1/16W			
1533		I	RESISTOR		R1206	1-218-748-11	METAL CHIP 220K 0.5% 1/16W			
1534		I	RESISTOR		R1207	1-218-728-11	METAL CHIP 33K 0.5% 1/16W			
1535		I	RESISTOR		R1209	1-216-801-11	METAL CHIP 22 5% 1/10W			
1536		I	RESISTOR		R1210	1-216-843-11	METAL CHIP 68K 5% 1/10W			
1537		I	RESISTOR		R1211	1-216-843-11	METAL CHIP 68K 5% 1/10W			
1538		I	RESISTOR		R1212	1-218-737-11	METAL CHIP 75K 0.5% 1/16W			
1539		I	RESISTOR		R1213	1-218-747-11	METAL CHIP 200K 0.5% 1/16W			
1540		I	RESISTOR		R1215	1-216-845-11	METAL CHIP 100K 5% 1/10W			
1541		I	RESISTOR		R1216	1-216-821-11	METAL CHIP 1K 5% 1/10W			
1542		I	RESISTOR		R1217	1-216-863-11	METAL CHIP 3.3M 5% 1/10W			
1543		I	RESISTOR		R1218	1-216-809-11	METAL CHIP 100 5% 1/10W			
1544		I	RESISTOR		R1220	1-218-747-11	METAL CHIP 200K 0.5% 1/16W			
1545		I	RESISTOR		R1221	1-216-825-11	METAL CHIP 2.2K 5% 1/10W			
1546		I	TRANSFORMER		T1000	1-437-937-11	"TRANSFORMER, INVERTER (SMD)"			
1547		I	TRANSFORMER		T1020	1-437-937-11	"TRANSFORMER, INVERTER (SMD)"			
1548		I	TRANSFORMER		T1040	1-437-937-11	"TRANSFORMER, INVERTER (SMD)"			
1549		I	TRANSFORMER		T1100	1-437-937-11	"TRANSFORMER, INVERTER (SMD)"			
1550		I	TRANSFORMER		T1120	1-437-937-11	"TRANSFORMER, INVERTER (SMD)"			

No.	#	Board	Type	△/*	Ref.No.	Part No.	Description	Remarks-1	Remarks-2	Difference
1551		I	TRANSFORMER		T1140	1-437-937-11	"TRANSFORMER, INVERTER (SMD)"			
1552		U	CONNECTOR	*	CN1450	1-764-177-11	"PIN, CONNECTOR (SMD)(1.5MM) 7P"			
1553		U	JACK		CN1451	1-794-392-11	JACK			
1554		U	FERRITE BEAD		FB1450	1-414-445-11	FERRITE 0UH			
1555		U	FERRITE BEAD		FB1451	1-414-445-11	FERRITE 0UH			
1556		U	FERRITE BEAD		FB1452	1-414-445-11	FERRITE 0UH			
1557		U	RESISTOR		R1450	1-216-864-11	SHORT CHIP 0			
1558		US	CAPACITOR		C1501	1-162-970-11	CERAMIC CHIP 0.01UF 10.00% 25V			
1559		US	CAPACITOR		C1502	1-162-970-11	CERAMIC CHIP 0.01UF 10.00% 25V			
1560		US	CAPACITOR		C1503	1-107-826-11	CERAMIC CHIP 0.1UF 10.00% 16V			
1561		US	CAPACITOR		C1504	1-162-970-11	CERAMIC CHIP 0.01UF 10.00% 25V			
1562		US	CAPACITOR		C1505	1-107-826-11	CERAMIC CHIP 0.1UF 10.00% 16V			
1563		US	CAPACITOR		C1506	1-124-779-00	ELECT CHIP 10UF 20.00% 16V			
1564		US	CAPACITOR		C1507	1-124-779-00	ELECT CHIP 10UF 20.00% 16V			
1565		US	CAPACITOR		C1508	1-164-004-11	CERAMIC CHIP 0.1UF 10.00% 25V			
1566		US	CAPACITOR		C1509	1-110-501-11	CERAMIC CHIP 0.33UF 10.00% 16V			
1567		US	CAPACITOR		C1510	1-126-204-11	ELECT CHIP 47UF 20.00% 16V			
1568		US	CAPACITOR		C1511	1-127-715-91	CERAMIC CHIP 0.22UF 10% 16V			
1569		US	CAPACITOR		C1514	1-127-715-91	CERAMIC CHIP 0.22UF 10% 16V			
1570		US	CAPACITOR		C1515	1-124-779-00	ELECT CHIP 10UF 20.00% 16V			
1571		US	CAPACITOR		C1516	1-124-779-00	ELECT CHIP 10UF 20.00% 16V			
1572		US	CAPACITOR		C1517	1-128-394-11	ELECT CHIP 220UF 20.00% 10V			
1573		US	CAPACITOR		C1518	1-128-394-11	ELECT CHIP 220UF 20.00% 10V			
1574		US	CAPACITOR		C1519	1-107-826-11	CERAMIC CHIP 0.1UF 10.00% 16V			
1575		US	CAPACITOR		C1520	1-124-779-00	ELECT CHIP 10UF 20.00% 16V			
1576		US	CAPACITOR		C1521	1-110-501-11	CERAMIC CHIP 0.33UF 10.00% 16V			
1577		US	CAPACITOR		C1522	1-126-204-11	ELECT CHIP 47UF 20.00% 16V			
1578		US	CAPACITOR		C1523	1-164-315-11	CERAMIC CHIP 470PF 5.00% 50V			
1579		US	CAPACITOR		C1524	1-107-826-11	CERAMIC CHIP 0.1UF 10.00% 16V			
1580		US	CAPACITOR		C1528	1-100-309-21	ELECT CHIP 22UF 20% 25V			
1581		US	CAPACITOR		C1529	1-107-826-11	CERAMIC CHIP 0.1UF 10.00% 16V			

No.	#	Board	Type	△/*	Ref.No.	Part No.	Description	Remarks-1	Remarks-2	Difference
1582		US	CAPACITOR		C1530	1-131-603-22	TANTAL. CHIP 100UF 20% 10V			
1583		US	CAPACITOR		C1532	1-107-826-11	CERAMIC CHIP 0.1UF 10.00% 16V			
1584		US	CAPACITOR		C1533	1-162-970-11	CERAMIC CHIP 0.01UF 10.00% 25V			
1585		US	CAPACITOR		C1534	1-131-603-22	TANTAL. CHIP 100UF 20% 10V			
1586		US	CONNECTOR		CN1501	1-784-210-21	CONNECTOR 7P			
1587		US	CONNECTOR	*	CN1502	1-573-768-21	"PIN, CONNECTOR (1.5MM) (SMD)5P"			
1588		US	CONNECTOR	*	CN1503	1-784-010-11	"CONNECTOR, USB (B)"			
1589		US	CONNECTOR	*	CN1504	1-784-010-11	"CONNECTOR, USB (B)"			
1590		US	CONNECTOR		CN1505	1-784-009-21	"CONNECTOR, USB (A)"			
1591		US	CONNECTOR		CN1506	1-784-009-21	"CONNECTOR, USB (A)"			
1592		US	DIODE		D1501	8-719-073-39	DIODE HZU5.6GTRF			
1593		US	DIODE		D1502	8-719-073-39	DIODE HZU5.6GTRF			
1594		US	DIODE		D1503	8-719-062-38	DIODE HZU3.92TRF			
1595		US	DIODE		D1504	8-719-062-38	DIODE HZU3.92TRF			
1596		US	DIODE		D1505	8-719-062-38	DIODE HZU3.92TRF			
1597		US	DIODE		D1506	8-719-062-38	DIODE HZU3.92TRF			
1598		US	DIODE		D1507	8-719-073-39	DIODE HZU5.6GTRF			
1599		US	DIODE		D1508	8-719-404-50	DIODE MA111-TX			
1600		US	DIODE		D1509	8-719-404-50	DIODE MA111-TX			
1601		US	DIODE		D1511	8-719-073-39	DIODE HZU5.6GTRF			
1602		US	DIODE		D1512	8-719-073-39	DIODE HZU5.6GTRF			
1603		US	DIODE		D1513	8-719-073-92	DIODE RB060L-40TE25			
1604		US	DIODE		D1514	8-719-073-39	DIODE HZU5.6GTRF			
1605		US	FUSE		F1501	1-576-410-21	"FUSE, CHIP"			
1606		US	FERRITE BEAD		FB1501	1-216-295-91	SHORT CHIP 0			
1607		US	FERRITE BEAD		FB1502	1-216-295-91	SHORT CHIP 0			
1608		US	FERRITE BEAD		FB1503	1-216-295-91	SHORT CHIP 0			
1609		US	FERRITE BEAD		FB1504	1-216-295-91	SHORT CHIP 0			
1610		US	FERRITE BEAD		FB1505	1-216-295-91	SHORT CHIP 0			
1611		US	FERRITE BEAD		FB1506	1-216-295-91	SHORT CHIP 0			
1612		US	FILTER		FL1501	1-419-776-21	INDUCTOR 0UH			

No.	#	Board	Type	△/*	Ref.No.	Part No.	Description	Remarks-1	Remarks-2	Difference
1613		US	FILTER		FL1502	1-419-776-21	INDUCTOR 0UH			
1614		US	IC		IC1501	8-759-549-01	IC SN74LV125APWR			
1615		US	IC		IC1502	8-759-521-89	IC PQ20WZ5U			
1616		US	IC		IC1503	6-702-839-11	IC CY7C65113-SCT-4PORTHUB			
1617		US	IC		IC1504	8-759-639-01	IC SDI02-V1			
1618		US	IC		IC1505	8-759-521-89	IC PQ20WZ5U			
1619		US	IC		IC1506	8-759-485-77	IC BA9743AFV-E2			
1620		US	COIL		L1501	1-414-993-21	INDUCTOR 0UH			
1621		US	TRANSISTOR		Q1501	8-729-029-06	TRANSISTOR DTC124EUA-T106			
1622		US	TRANSISTOR		Q1505	8-729-920-85	TRANSISTOR 2SD1664-QR			
1623		US	TRANSISTOR		Q1506	8-729-903-46	TRANSISTOR 2SB1132-P			
1624		US	TRANSISTOR		Q1507	8-729-043-74	TRANSISTOR SI4435DY-T1-REVA			
1625		US	RESISTOR		R1501	1-216-837-11	METAL CHIP 22K 5% 1/10W			
1626		US	RESISTOR		R1502	1-216-837-11	METAL CHIP 22K 5% 1/10W			
1627		US	RESISTOR		R1503	1-216-801-11	METAL CHIP 22 5% 1/10W			
1628		US	RESISTOR		R1504	1-216-801-11	METAL CHIP 22 5% 1/10W			
1629		US	RESISTOR		R1505	1-216-801-11	METAL CHIP 22 5% 1/10W			
1630		US	RESISTOR		R1506	1-216-801-11	METAL CHIP 22 5% 1/10W			
1631		US	RESISTOR		R1507	1-216-833-11	METAL CHIP 10K 5% 1/10W			
1632		US	RESISTOR		R1508	1-216-833-11	METAL CHIP 10K 5% 1/10W			
1633		US	RESISTOR		R1509	1-216-821-11	METAL CHIP 1K 5% 1/10W			
1634		US	RESISTOR		R1510	1-216-833-11	METAL CHIP 10K 5% 1/10W			
1635		US	RESISTOR		R1511	1-216-823-11	METAL CHIP 1.5K 5% 1/10W			
1636		US	RESISTOR		R1513	1-216-813-11	METAL CHIP 220 5% 1/10W			
1637		US	RESISTOR		R1514	1-218-685-11	METAL CHIP 510 0.5% 1/16W			
1638		US	RESISTOR		R1515	1-216-813-11	METAL CHIP 220 5% 1/10W			
1639		US	RESISTOR		R1516	1-216-295-91	SHORT CHIP 0			
1640		US	RESISTOR		R1517	1-218-699-11	METAL CHIP 2K 0.5% 1/16W			
1641		US	RESISTOR		R1518	1-216-833-11	METAL CHIP 10K 5% 1/10W			
1642		US	RESISTOR		R1520	1-216-833-11	METAL CHIP 10K 5% 1/10W			
1643		US	RESISTOR		R1521	1-216-833-11	METAL CHIP 10K 5% 1/10W			

No.	#	Board	Type	△/*	Ref.No.	Part No.	Description	Remarks-1	Remarks-2	Difference
1644		US	RESISTOR		R1524	1-216-864-11	SHORT CHIP 0			
1645		US	RESISTOR		R1526	1-216-833-11	METAL CHIP 10K 5% 1/10W			
1646		US	RESISTOR		R1529	1-216-864-11	SHORT CHIP 0			
1647		US	RESISTOR		R1531	1-216-864-11	SHORT CHIP 0			
1648		US	RESISTOR		R1533	1-216-835-11	METAL CHIP 15K 5% 1/10W			
1649		US	RESISTOR		R1534	1-216-835-11	METAL CHIP 15K 5% 1/10W			
1650		US	RESISTOR		R1535	1-216-835-11	METAL CHIP 15K 5% 1/10W			
1651		US	RESISTOR		R1536	1-216-835-11	METAL CHIP 15K 5% 1/10W			
1652		US	RESISTOR		R1537	1-218-292-11	METAL CHIP 20K 5% 1/10W			
1653		US	RESISTOR		R1538	1-216-839-11	METAL CHIP 33K 5% 1/10W			
1654		US	RESISTOR		R1539	1-218-716-11	METAL CHIP 10K 0.5% 1/16W			
1655		US	RESISTOR		R1540	1-216-801-11	METAL CHIP 22 5% 1/10W			
1656		US	RESISTOR		R1541	1-216-801-11	METAL CHIP 22 5% 1/10W			
1657		US	RESISTOR		R1542	1-216-801-11	METAL CHIP 22 5% 1/10W			
1658		US	RESISTOR		R1543	1-216-801-11	METAL CHIP 22 5% 1/10W			
1659		US	RESISTOR		R1544	1-216-864-11	SHORT CHIP 0			
1660		US	RESISTOR		R1548	1-218-700-11	METAL CHIP 2.2K 0.5% 1/16W			
1661		US	RESISTOR		R1549	1-218-716-11	METAL CHIP 10K 0.5% 1/16W			
1662		US	RESISTOR		R1550	1-216-833-11	METAL CHIP 10K 5% 1/10W			
1663		US	RESISTOR		R1551	1-216-042-00	RES-CHIP 510 5% 1/10W			
1664		US	RESISTOR		R1553	1-216-042-00	RES-CHIP 510 5% 1/10W			
1665		US	RESISTOR		R1556	1-218-692-11	METAL CHIP 1K 0.5% 1/16W			
1666		US	RESISTOR		R1557	1-218-728-11	METAL CHIP 33K 0.5% 1/16W			
1667		US	RESISTOR		R1558	1-216-864-11	SHORT CHIP 0			
1668		US	RESISTOR		R1559	1-216-864-11	SHORT CHIP 0			
1669		US	RESISTOR		R1560	1-216-864-11	SHORT CHIP 0			
1670		US	RESISTOR		R1561	1-216-864-11	SHORT CHIP 0			
1671		US	RESISTOR		R1563	1-218-699-11	METAL CHIP 2K 0.5% 1/16W			
1672		US	RESISTOR		R1564	1-218-716-11	METAL CHIP 10K 0.5% 1/16W			
1673		US	NETWORK RESISTOR		RB1501	1-236-908-11	"RES, CHIP NETWORK 10K "			
1674		US	VARISTOR		VDR501	1-803-974-21	"VARISTOR, CHIP"			

No.	#	Board	Type	△/*	Ref.No.	Part No.	Description	Remarks-1	Remarks-2	Difference
1675		US	VARISTOR		VDR502	1-803-974-21	"VARISTOR, CHIP"			
1676		US	VARISTOR		VDR503	1-803-974-21	"VARISTOR, CHIP"			
1677		US	VARISTOR		VDR504	1-803-974-21	"VARISTOR, CHIP"			
1678		US	CRYSTAL		X1501	1-795-039-11	"VIBRATOR, CRYSTAL (6MHz)"			

